

Toe Jacks

5.5, 11 & 27.5 Ton

Get under equipment with only 11/16" of ground clearance.

JACKS

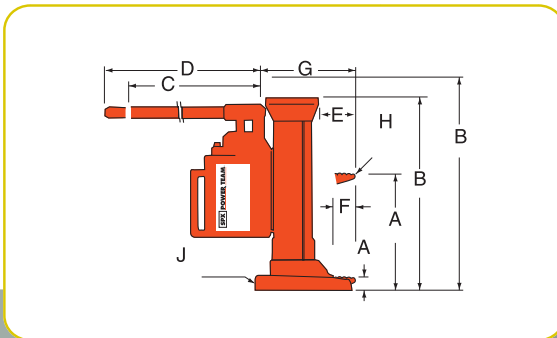


ASME B30.1

- With lifting points on the toe and on the top, these extremely rugged jacks are ideal for machine lifting, rigging, lift truck service and much more.
- Choose from 5.5-ton, 11-ton, and now, an amazing 27.5-ton lifting capacity.
- All jacks operate both vertically and horizontally.
- Base, toe and pumping assembly swivel independently, allowing the jack to work in confined areas.



The J Series Toe Jack is an extremely rugged jack used here for lift truck service.



DIMENSIONS

Order Number	A		B		C	D	E	F	G	H	J
	Ret. (in.)	Ext. (in.)	Ret. (in.)	Ext. (in.)							
J58T	1 ¹ / ₁₆	9 ³ / ₈	14 ³ / ₄	23	14 ¹ / ₂	17 ³ / ₄	2 ¹³ / ₁₆	2 ³ / ₁₆	6 ¹⁵ / ₁₆	1 ⁵ / ₈	5 ¹ / ₈
J109T	1 ¹ / ₁₆	10 ³ / ₈	16 ¹ / ₂	25 ³ / ₄	14 ¹ / ₂	17 ³ / ₄	3	2 ³ / ₁₆	7 ¹ / ₃₂	2 ¹ / ₂	6 ³ / ₄
J259T	2 ¹ / ₈	11 ³ / ₈	19 ¹ / ₈	29 ¹ / ₁₆	8 ¹ / ₄	29 ³ / ₄	5 ³ / ₄	4	10 ¹ / ₂	3 ¹ / ₂	10 ⁵ / ₈

ORDERING INFORMATION*

Cap. Tons	Max Lift Stroke	Order Number	Strokes to Extend Piston 1 in.	Handle Effort at Max Load (lbs.)	Carry Handle	Product Wt. (lbs.)
5 ¹ / ₂	8 ¹ / ₄	J58T	8	83.9	Yes	43
11	9 ¹ / ₄	J109T	13	88	Yes	64
27 ¹ / ₂	9 ³ / ₁₆	J259T	21	88	Yes	203

*See current price list for shipping weights.