



**FALCON CZECH s.r.o.**

Osvoboditelů 2649

44001 Louny

tel: 415 670315

email: [info@falconczech.cz](mailto:info@falconczech.cz)

[www.falconczech.cz](http://www.falconczech.cz)

**Industrial Hydraulic Equipment**



## The BVA Advantage

BVA Industrial Hydraulics was launched in 2005 and is centrally located in Europe in Etten-Leur, The Netherlands. BVA is one of the Shinn Fu Europe brands besides Omega Lift, Omega Mechanix and Prolift. Shinn Fu was founded in Taiwan in 1971 and began doing business in Europe in 1994. Shinn Fu has over 2,000 Employees worldwide with its headquarters in Taipei, Taiwan.

### Confidence Built on Quality

#### ISO 9001

BVA products are manufactured through an International Quality Assurance System, ISO 9001 which involves consistent observation of administration, management, manufacturing, and production control. Under this system, the related operations are monitored on all aspects from purchase order to assembly line and to shipping the order.

#### BVA Products comply with the following industry standards



Directive 2006/42/EC  
Standard EN1494:2000+A1:2008



MT20

#### ASME B30.1

The cylinders comply with load testing requirements and / or the safety factor for material yield strength while still functioning properly without oil leakage.

#### ANSI B40.1

BVA pressure gauges meet the criteria for grade A.

#### SAE 100

BVA hydraulic hoses comply with the Material Handling Institute's specification of minimum life cycles and minimum burst pressure rating.

### BVA Limited Lifetime Warranty

BVA products are warranted to be free of defects in materials and workmanship. Any BVA product that does not conform to specification will be repaired or credited (at BVA's option) at BVA's expense for the life of the product. Contact BVA for disposition of this warranty.

This warranty does not cover ordinary wear and tear, abuse, misuse, alteration or use of improper fluids or maintenance as determined by BVA and its authorized service centers. All electric motors, gas engines, batteries and other parts or materials sold with or part of BVA products but are separately warranted by another manufacturer, are covered by that manufacturer's warranty and not the BVA Lifetime Warranty. BVA shall not be liable for consequential or incidental damage or loss.



#### Repair Parts

We offer a large range of product replacement parts, please contact your local BVA dealer for more details.



#### Contact

For technical support, or for questions about your product, contact your local BVA dealer.



#### BVA Website

To view our most up-to-date catalog or view our new product, visit our website: [www.BVA-hydraulics.com](http://www.BVA-hydraulics.com)

# Model Number Index

H	6	HL	16	HLN	22	HP	26	HDG	32	Accessoires	40
HG	10	HF	18	HLNF	24	HPD	27	HDU	36		
HU	14	HC	20	HT	25	HD	28	HDC	38		

## Cylinders



P	Single Acting Hand Pumps	44	PA	All Position Air Pumps	47	PAR	Rotary Air Pumps	50	PE	3-Phase Electric Pumps	56
P	Double Acting Hand Pumps	44	PA	Single Acting Air Pumps	48	PU	Universal Motor Pumps	51	PG	Gas Engine Pumps	57
P57	Foot Pumps	46	PA	Double Acting Air Pumps	48	PE	1-Phase Electric Pumps	52	PD	Diesel Engine Pumps	57

## Pumps



H	General Purpose Cylinder Combinations	60	HL	Low Profile Cylinder Combinations	61
HF	Flat Body Cylinder Combinations	60	HLN	Lock Nut Cylinder Combinations	61
HC	Hollow Hole Cylinder Combinations	61	HU	Aluminum Cylinder Combinations	61

## Combo Kits



Flow Control Valves	62	Gauge Adapters	65	Pressure Switch	66	Hydraulic Couplers	67	Manifold Blocks	68	Fittings	71
Manifolds	64	Hydraulic Oil	66	Foot Pedals	66	Hydraulic Hoses	67	Directional Control Valves	69		
Pressure Gauges	65	External Pressure Adj	66	Coupler Dust Cover	66	Solenoid Valves	68	Pump Mounted Valves	70		

## Control Valves & Accessories



Heavy Duty Presses	74	Air/Manual Bottle Jacks	79	Bolt Puller/King Pin Press	89	BVA Bag	92
Hydraulic Manual Press	76	Toe Jacks	79	Pad Eye Tester	90	Maintenance	93
Electrical Press	77	Pullers	80	Flange Spreaders	91	Pipe Bender	93
Manual Bottle Jacks	78	Hydraulic Gear Pullers	88	Spreaders	91		
Mini Jacks	78	Hydraulic Bench Vise	88	Hydraulic Nut Splitter w/ Case	92		

## Presses/Bottle Jacks/Pullers



Container Lifting System	94	Hydraulic Mounting Clamp	96	Support Pads	99
Container Moving System	95	Movable Base Plates	97		
Ring Mounting Clamp-Hydraulic	96	Stabilisation Blocks	98		

## Tools/ Equipment



BVA Cross Reference Chart	100	Hydraulic Formula Reference	104
Safety Instructions	102	BVA in action	106
Maintaining Your Equipment	104	About BVA	107

## Cross-Reference & Engineering





## Cylinder Matrix Chart

**H** | **DC** | **30** | **06** | **T**

**1**      **2**      **3**      **4**      **5**  
Cylinder    Cylinder    Cylinder    Cylinder    Suffix  
Type      Options    Capacity    Stroke      Code

### 1 - Cylinder Type

**H** Hydraulic Cylinder

### 2 - Cylinder Options

- C** S/A - Hollow Hole
- D** D/A - General Purpose
- DC** D/A - Hollow Hole
- DG** D/A - High Tonnage
- F** S/A - Flat Body
- G** S/A - Load Return High Tonnage
- L** S/A - Low Profile
- LN** S/A - Lock Nut
- LNF** S/A - Lock Nut Low Profile
- P** S/A - Pull
- PD** Precision Double Acting
- T** S/A - Threaded
- U** S/A - Aluminum
- UC** S/A - Aluminum Hollow Hole
- UDC** D/A - Aluminum Hollow Hole
- ULN** S/A - Aluminum Lock Nut

### 3 - Cylinder Capacity

<b>02</b>	2, 2.5 Tons	<b>75</b>	75 Tons
<b>04</b>	4 Tons	<b>100</b>	100 Tons
<b>05</b>	5 Tons	<b>150</b>	150 Tons
<b>09</b>	9 Tons	<b>160</b>	160 Tons
<b>10</b>	10 Tons	<b>200</b>	200 Tons
<b>12</b>	12 Tons	<b>250</b>	250 Tons
<b>15</b>	15 Tons	<b>300</b>	300 Tons
<b>16</b>	16 Tons	<b>400</b>	400 Tons
<b>20</b>	20 Tons	<b>500</b>	500 Tons
<b>25</b>	25 Tons	<b>600</b>	600 Tons
<b>30</b>	30 Tons	<b>700</b>	700 Tons
<b>50</b>	50 Tons	<b>800</b>	800 Tons
<b>55</b>	55 Tons	<b>1,000</b>	1,000 Tons
<b>60</b>	60 Tons	<b>1,500</b>	1,500 Tons
<b>75</b>	75 Tons		

### 4 - Cylinder Stroke

<b>00</b>	0.63"/16mm
<b>01</b>	1"/ 25 mm
<b>02</b>	2"/ 51 mm
<b>04</b>	4"/ 102 mm
<b>05</b>	5"/ 127 mm
<b>06</b>	6"/ 152 mm
<b>08</b>	8"/ 203 mm
<b>10</b>	10"/ 254mm
<b>12</b>	12"/ 305mm
<b>13</b>	13"/ 330mm
<b>14</b>	14"/ 356mm
<b>18</b>	18"/ 457mm
<b>20</b>	20"/ 508mm
<b>24</b>	24"/ 610mm
<b>32</b>	32"/ 813mm

### 5 - Suffix Code

- T** With internal Threads, HC Series only
- XT** No internal Threads, HC Series only
- B** Flat Body Cylinder Kit



### Cylinder Accessories

See the assortment of accessories designed to work with our products. pg 40



### Safety Practices

Good industry practice recommends not exceeding 80% of maximum rated capacities of all our products.

**80%**

### Safety Instructions

Visit our DO'S and DON'TS section to review the best methods of operation. Always be prepared. pg 102



Heavy duty, heat treated, grooved saddle provides better surface traction during operation

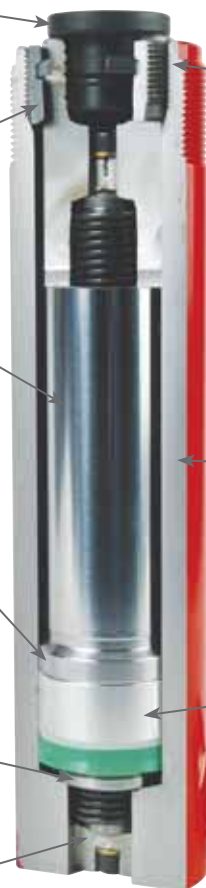
Plunger wiper seals out dirt and contamination

Industrial hard chrome plated plunger prevents scratching and corrosion

One piece steel plunger stopper for extra strength and preventing over travel

Polyurethane cup seal provides optimum performance

Rectangular return spring design eliminates spring breakage and provides quicker retraction



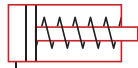



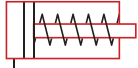

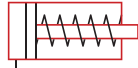

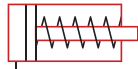

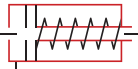















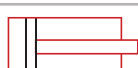

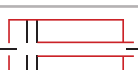


Steel stop ring for plunger over travel protection

Collar fixture threads

Cylinders are burnish rolled giving a smoother finish than honing, which reduces scoring and prolongs seal life

One piece high grade alloy bearing for side load protection and long life

High flow ball coupler provides more flow than conventional couplers

Cylinder Series	Cylinder Type		Max Capacity Range (tons)	Max Stroke Range (in)	Page Number / Reference Image
H	Single Acting Cylinders		5-100	25-362	 6-9
HG	High Tonnage Single Acting Cylinders		100-1000	182-1114	 10-13
HU	Aluminum Single Acting Cylinders		20-100	50-297	 14-15
HL	Low Profile Cylinders		10-100	38-57	 16-17
HF	Flat Body Cylinders		5-150	16	 18-19
HC	Hollow Plunger Cylinders		12-100	8-155	 20-21
HLN	Lock Nut Cylinders		50-300	50-300	 22-23
HLNF	Low Profile Lock Nut Cylinders		60-250	45-50	 24
HT	Threaded Cylinders		10-20	131-253	 25
HP	Pull Cylinders		2.5-10	127-141	 26
HPD	Precision Double Acting Cylinders		9-16	1.77-3.14	 27
HD	Double Acting Cylinders		10-100	155-461	 28-31
HDG	High Tonnage Double Acting Cylinders		100-1000	50-300	 32-35
HDU	Aluminum Double Acting Cylinders		20-30	50-150	 36-37
HDC	Double Acting Plunger Hole Cylinders		30-150	38-257	 38-39
-	Cylinder Accessories		-	-	 40-41
-	Pump Matching Chart		-	-	42

**Pumps Section**

Page 44 ▶

**Pumps-Cylinder Combo's**

Page 60 ▶



## Single Acting Cylinders

H Series - General Purpose, Spring Return

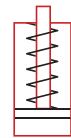


H10010

H1514

H7513

H1501



### Capacity:

5 - 100 Tons

### Stroke:

25 - 362 mm

### Max. Operating Pressure:

700 BAR

### Min. - Max. Height:

92 - 838 mm



**\* Larger Tonnages**  
For tonnages that exceed 100, please refer to our HG Section pg 10



Single Acting Cylinder H1506 in the collapsed position with CB15 cylinder base for safety.

Single Acting Cylinder H5513 in the collapsed position ready to lift a load

- Collar threads and base mounting holes for fixturing
- Hard chrome plated piston plunger protects against corrosion and damage
- Polyurethane U-Cup seals provide a sure seal and long life
- Solid one piece alloy steel body
- One piece aluminum alloy bearing protects against cylinder wall damage
- CH38F high flow coupler with dust cap is standard on all cylinders



**80%** **Safety Practices**  
Good industry practice recommends not exceeding 80% of maximum rated capacities of all our products.

**HU Series – Aluminum Cylinders**  
Aluminum cylinders make a great lightweight alternative being up to 60% lighter than comparable steel models. pg 14

## Quick Selection Guide

Cylinder Capacity	Stroke (mm)	Model Number	Collapsed Height (mm)	Oil Capacity (cc)	Weight (kg)
5 Ton 44 kN	25	H0501	116	16	1.4
	78	H0503	169	50	1.5
	129	H0505	221	83	1.8
	180	H0507	272	116	2.1
	229	H0509	324	148	2.5
10 Ton 89 kN	25	H1001	92	36	1.8
	51	H1002	123	74	2.3
	102	H1004	174	147	3.5
	151	H1006	250	218	4.3
	202	H1008	301	292	5.1
	253	H1010	352	366	5.9
	304	H1012	403	439	6.8
	356	H1014	450	515	7.6
15 Ton 133 kN	25	H1501	124	50	3.1
	51	H1502	149	103	3.9
	101	H1504	200	205	5.0
	152	H1506	270	308	6.7
	203	H1508	321	411	7.8
	254	H1510	372	515	9.1
	305	H1512	423	618	10.2
	356	H1514	474	721	11.4
25 Ton 222 kN	26	H2501	143	86	5.5
	51	H2502	168	170	6.4
	102	H2504	219	339	8.2
	155	H2506	272	515	10.1
	206	H2508	323	684	11.9
	257	H2510	374	854	13.7
	310	H2512	426	1030	15.6
	362	H2514	476	1203	17.4
30 Ton 267 kN	210	H3008	387	879	18.5
55 Ton 489 kN	51	H5502	176	360	15.0
	103	H5504	227	730	18.6
	159	H5506*	283	1126	26.1
	260	H5510*	385	1844	30.6
	337	H5513*	461	2388	39.5
75 Ton 667 kN	156	H7506*	285	1620	33.6
	333	H7513*	492	3459	55.3
100 Ton 890 kN	51	H10002*	219	677	29.9
	168	H10006*	357	2229	57.6
	260	H10010*	449	3453	69.4

See pages 8-9 for detailed specifications.

\* Cylinder is equipped with carrying handle.



H Series

**Cylinder Accessories**  
See the assortment of accessories designed to work with our products. pg 40

**Combo Kits**  
Most cylinders are available in easy to order kits: Cylinder, Gauge, Couplers, Hose and Pump. pg 60

**Related Product: Gauges**  
Reduce the risk of overloading your product by using a gauge. A variety of graduations and types to suit any need. pg 65

**Safety Instructions**  
Visit our DO'S and DON'TS section to review the best methods of operation. Always be prepared. pg 102

**High-Flow Couplers**  
High-Flow Coupler: CH38F is included on all models (except where specified).

**Optional Tilt-Saddles**  
Saddles tilt to a 5% maximum to adjust to the load. Match up these saddles with the following cylinders:

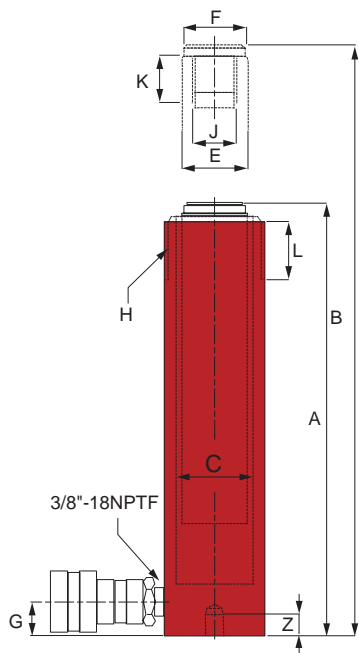
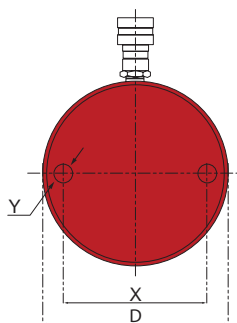
SDT05	→	H05 Cylinders
SDT10	→	H10 Cylinders
SDT15	→	H15 Cylinders
SDT25	→	H25 Cylinders
SDT55	→	H55, H75, H100 Cylinders

pg 41



# Single Acting Cylinders

## H Series - Spring Return



Cylinder Capacity	Stroke (mm)	Model Number	Cylinder Effective Area (cm <sup>2</sup> )	Oil Capacity (cc)	Weight (kg)
5 Ton 44 kN	25	H0501	6.5	16	1.4
	78	H0503	6.5	50	1.5
	129	H0505	6.5	83	1.8
	180	H0507	6.5	116	2.1
	229	H0509	6.5	148	2.5
10 Ton 89 kN	25	H1001	14.5	36	1.8
	51	H1002	14.5	74	2.3
	102	H1004	14.5	147	3.5
	151	H1006	14.5	218	4.3
	202	H1008	14.5	292	5.1
	253	H1010	14.5	366	5.9
	304	H1012	14.5	439	6.8
15 Ton 133 kN	25	H1501	20.3	50	3.1
	51	H1502	20.3	103	3.9
	101	H1504	20.3	205	5.0
	152	H1506	20.3	308	6.7
	203	H1508	20.3	411	7.8
	254	H1510	20.3	515	9.1
	305	H1512	20.3	618	10.2
25 Ton 222 kN	26	H2501	33.2	86	5.5
	51	H2502	33.2	170	6.4
	102	H2504	33.2	339	8.2
	155	H2506	33.2	515	10.1
	206	H2508	33.2	684	11.9
	257	H2510	33.2	854	13.7
	310	H2512	33.2	1030	15.6
	362	H2514	33.2	1203	17.4
30 Ton 267 kN	210	H3008	41.9	879	18.5
55 Ton 489 kN	51	H5502	70.8	360	15.0
	103	H5504	70.8	730	18.6
	159	H5506*	70.8	1126	26.1
	260	H5510*	70.8	1844	30.6
	337	H5513*	70.8	2388	39.5
75 Ton 667 kN	156	H7506*	103.9	1620	33.6
	333	H7513*	103.9	3459	55.3
100 Ton 890 kN	51	H10002*	132.8	677	29.9
	168	H10006*	132.8	2229	57.6
	260	H10010*	132.8	3453	69.4

\* Cylinder is equipped with carrying handle.



Model Number	Collapsed Height A (mm)	Extended Height B (mm)	Cylinder Bore C (mm)	Outside Dia. D (mm)	Plunger Dia. E (mm)	Saddle Dia. F (mm)	Base to Inlet Port G (mm)	Collar Thread H	Collar Thread Length L (mm)	Plunger Internal Thread J	Plunger Thread Length K (mm)	Base Mounting Hole (mm)		
												Bolt Circle X	Thread Y	Thread Depth Z
H0501	116	142	29	38	25	25	20	1½"-16N	28	¾"-16UNF	16	25	¼"-20UNC	14
H0503	169	247	29	38	25	25	20	1½"-16N	28	¾"-16UNF	16	25	¼"-20UNC	14
H0505	221	350	29	38	25	25	20	1½"-16N	28	¾"-16UNF	16	25	¼"-20UNC	14
H0507	272	452	29	38	25	25	20	1½"-16N	28	¾"-16UNF	16	25	¼"-20UNC	14
H0509	324	552	28	38	25	25	20	1½"-16N	28	¾"-16UNF	16	25	¼"-20UNC	14
H1001	92	117	43	57	38	-	20	2¼"-14UN	30	-	6	40	5/16"-18UNC	14
H1002	123	174	43	57	38	35	20	2¼"-14UN	30	1"-8UNC	20	40	5/16"-18UNC	14
H1004	174	276	43	57	38	35	20	2¼"-14UN	30	1"-8UNC	20	40	5/16"-18UNC	14
H1006	250	401	43	57	38	35	20	2¼"-14UN	30	1"-8UNC	20	40	5/16"-18UNC	14
H1008	301	503	43	57	38	35	20	2¼"-14UN	30	1"-8UNC	20	40	5/16"-18UNC	14
H1010	352	605	43	57	38	35	20	2¼"-14UN	30	1"-8UNC	20	40	5/16"-18UNC	14
H1012	403	707	43	57	38	35	20	2¼"-14UN	30	1"-8UNC	20	40	5/16"-18UNC	14
H1014	450	806	43	57	38	35	20	2¼"-14UN	30	1"-8UNC	20	40	5/16"-18UNC	14
H1501	124	149	51	70	41	38	20	2¾"-16UN	30	1"-8UNC	25	48	3/8"-16UNC	13
H1502	149	200	51	70	41	38	20	2¾"-16UN	30	1"-8UNC	25	48	3/8"-16UNC	13
H1504	200	301	51	70	41	38	20	2¾"-16UN	30	1"-8UNC	25	48	3/8"-16UNC	13
H1506	270	422	51	70	41	38	25	2¾"-16UN	30	1"-8UNC	25	48	3/8"-16UNC	13
H1508	321	524	51	70	41	38	25	2¾"-16UN	30	1"-8UNC	25	48	3/8"-16UNC	13
H1510	372	626	51	70	41	38	25	2¾"-16UN	30	1"-8UNC	25	48	3/8"-16UNC	13
H1512	423	728	51	70	41	38	25	2¾"-16UN	30	1"-8UNC	25	48	3/8"-16UNC	13
H1514	474	830	51	70	41	38	25	2¾"-16UN	30	1"-8UNC	25	48	3/8"-16UNC	13
H2501	143	169	65	85	57	50	25	3 <sup>5</sup> / <sub>16</sub> "-12N	49	1½"-16UNC	30	59	½"-13UNC	19
H2502	168	219	65	85	57	50	25	3 <sup>5</sup> / <sub>16</sub> "-12N	49	1½"-16UNC	30	59	½"-13UNC	19
H2504	219	321	65	85	57	50	25	3 <sup>5</sup> / <sub>16</sub> "-12N	49	1½"-16UNC	30	59	½"-13UNC	19
H2506	272	427	65	85	57	50	25	3 <sup>5</sup> / <sub>16</sub> "-12N	49	1½"-16UNC	30	59	½"-13UNC	19
H2508	323	529	65	85	57	50	25	3 <sup>5</sup> / <sub>16</sub> "-12N	49	1½"-16UNC	30	59	½"-13UNC	19
H2510	374	631	65	85	57	50	25	3 <sup>5</sup> / <sub>16</sub> "-12N	49	1½"-16UNC	30	59	½"-13UNC	19
H2512	426	736	65	85	57	50	25	3 <sup>5</sup> / <sub>16</sub> "-12N	49	1½"-16UNC	30	59	½"-13UNC	19
H2514	476	838	65	85	57	50	25	3 <sup>5</sup> / <sub>16</sub> "-12N	49	1½"-16UNC	30	59	½"-13UNC	19
H3008	387	597	73	102	57	50	50	3 <sup>5</sup> / <sub>16</sub> "-12N	49	1½"-16UNC	30	56	½"-13UNC	19
H5502	176	227	95	127	80	70	31	5"-12UN	55	-	-	95	½"-13UNC	19
H5504	227	330	95	127	80	70	31	5"-12UN	55	-	-	95	½"-13UNC	19
H5506*	283	442	95	127	80	70	31	5"-12UN	55	-	-	95	½"-13UNC	19
H5510*	385	645	95	127	80	70	31	5"-12UN	55	-	-	95	½"-13UNC	19
H5513*	461	798	95	127	80	70	31	5"-12UN	55	-	-	95	½"-13UNC	19
H7506*	285	466	115	147	95	70	30	5¾"-12UN	45	-	-	100	¾"-10UNC	22
H7513*	492	825	115	147	95	70	30	5¾"-12UN	45	-	-	100	¾"-10UNC	22
H10002*	219	270	130	159	105	70	38	6¼"-12UN	55	-	-	-	-	-
H10006*	357	525	130	159	105	70	40	6 <sup>7</sup> / <sub>8</sub> "-12UN	45	-	-	140	¾"-10UNC	25
H10010*	449	709	130	159	105	70	40	6 <sup>7</sup> / <sub>8</sub> "-12UN	45	-	-	140	¾"-10UNC	25

\* Cylinder is equipped with carrying handle.



# High Tonnage Single Acting Cylinders

HG series - Heavy Lifting, Load Return



## Capacity:

100 - 1000 Tons

## Stroke:

50 - 300 mm

## Max. Operating Pressure:

700 BAR

## Min. - Max. Height:

182 - 1114 mm



HG10004

HG15006

HG20002



### Flow Control Valves

Control the speed of your cylinder by adding a flow control valve.

pg 62



### Related Product: Hoses

We offer a variety of hoses, fittings, lengths and materials.

pg 67

## Gas/Diesel Engine Pumps

These HDG cylinders pair up well with a Gas or Diesel Engine pump. We offer a variety of different flow rates, motor sizes and reservoir sizes on our gas/diesel engine pumps. Contact your local BVA dealer for more details.



- Gas engine pump will provide 700 BAR hydraulic force at remote locations
- Industrial grade 5.5 hp. (4.1 kN) Honda gas engine or 4.6 hp. (3.5 kN) HATZ diesel engine.
- Ideal for applications where electricity isn't easily accessible.
- Two speed pump designed for rapid cylinder advance
- Gas pump features a sturdy protective roll cage for use in the toughest environments
- Optional electric start with Diesel Engine

## Electric Motor Pumps

These HG cylinders pair up well with Electric Motor pumps. We offer a variety of different flow rates and motor sizes. Contact your local BVA dealer for more details.



- Meets OSHA regulations for sound (80dBA)
- Two speed pump designed for rapid cylinder advance
- Internal filter screens contamination to prevent pump damage
- All units are wired as 230 VAC 50 Hz; Optional wiring 120 VAC 50Hz
- 100% Duty Cycle TEFC motors
- All hand pendants are wired at 24VAC for safety
- Full load starting capability

## Quick Reference Guide

Cylinder Capacity	Stroke (mm)	Model Number	Collapsed Height (mm)	Oil Capacity (cc)	Weight (kg)
100 Ton 890 kN	50	HG10002	182	664	27.7
	100	HG10004	232	1327	33.6
	150	HG10006	282	1991	39.5
	200	HG10008	332	2655	45.4
	250	HG10010	382	3318	51.7
	300	HG10012	432	3982	57.6
150 Ton 1334 kN	50	HG15002	196	981	46.3
	100	HG15004	246	1963	55.3
	150	HG15006	296	2978	64.4
	200	HG15008	346	3926	73.5
	250	HG15010	396	4907	82.1
	300	HG15012	446	5889	91.6
200 Ton 1779 kN	50	HG20002	216	1322	54.9
	150	HG20006	316	3989	91.2
	200	HG20008	366	5289	109.8
	300	HG20012	466	7977	146.1
300 Ton* 2669 kN	50	HG30002	312	2281	184.2
	150	HG30006	412	6843	231.8
	300	HG30012	562	13685	303.0
400 Ton* 3559 kN	50	HG40002	374	2800	269.9
	150	HG40006	474	8399	330.2
	300	HG40012	625	17077	420.9
500 Ton* 4448 kN	50	HG50002	419	3653	401.0
	150	HG50006	519	10959	479.9
	300	HG50012	669	21919	599.2
600 Ton* 5338 kN	50	HG60002	429	4277	474.0
	150	HG60006	529	12829	565.2
	250	HG60010	457	23088	430.0
	300	HG60012	679	25662	700.8
800 Ton* 7117 kN	50	HG80002	474	5881	741.2
	150	HG80006	574	17649	868.2
	300	HG80012	724	35281	1057.8
1000 Ton* 8896 kN	50	HG100002	564	7329	1061.9
	150	HG100006	664	21991	1212.9
	300	HG100012	814	43966	1438.8

\*Available on request: no stock item

See next pages (pg.12-13) to view more detail stats on High Tonnage Single Acting Cylinders.



### HG Series



#### Safety Practices

Good industry practice recommends not exceeding 80% of maximum rated capacities of all our products.

#### Optional Tilt-Saddles



Saddles tilt to a 5% maximum to adjust to the load. View our cylinder accessories page to figure out what saddle best fits these cylinders.

pg 41

#### Related Product: Gauges



Reduce the risk of overloading your product by using a gauge. A variety of graduations and types to suit any need.

pg 65

#### Safety Instructions



Visit our DO'S and DON'TS section to review the best methods of operation. Always be prepared.

pg 102

#### High-Flow Couplers

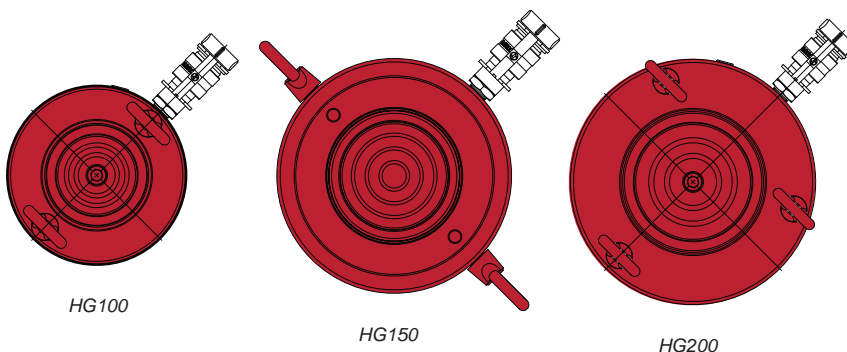
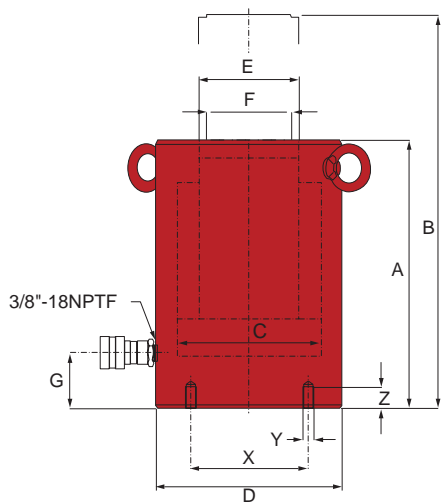


High-Flow Coupler: CH38F is included on all models (except where specified).



## High Tonnage Single Acting Cylinders

HG Series - Heavy Lifting, Load Return



### Optional Tilt-Saddles



Saddles tilt to a 5% maximum to adjust to the load. View our cylinder accessories page to figure out what saddle best fits these cylinders.

pg 41

### High-Flow Couplers



High-Flow Coupler: CH38F is included on all models (except where specified).

### Related Product: Gauges



Reduce the risk of overloading your product by using a gauge. A variety of graduations and types to suit any need.

pg 65

### Safety Instructions

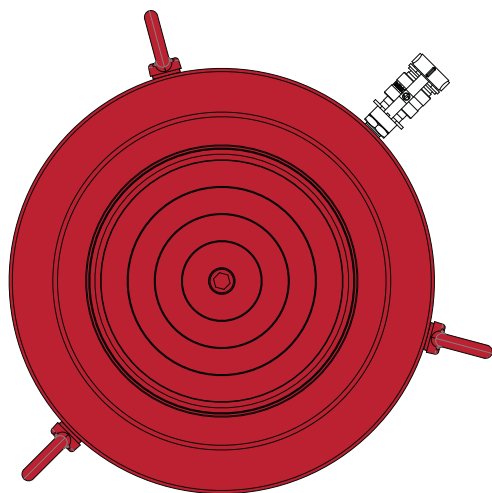


Visit our DO'S and DON'TS section to review the best methods of operation. Always be prepared.

pg 102

Cylinder Capacity	Stroke (mm)	Model Number	Cylinder Effective Area (cm <sup>2</sup> )	Oil Capacity (cc)	Weight (kg)
100 Ton 890 kN	50	HG10002	132.7	664	27.7
	100	HG10004	132.7	1327	33.6
	150	HG10006	132.7	1991	39.5
	200	HG10008	132.7	2655	45.4
	250	HG10010	132.7	3318	51.7
	300	HG10012	132.7	3982	57.6
150 Ton 1334 kN	50	HG15002	196.3	981	46.3
	100	HG15004	196.3	1963	55.3
	150	HG15006	198.6	2978	64.4
	200	HG15008	196.3	3926	73.5
	250	HG15010	196.3	4907	82.1
	300	HG15012	196.3	5889	91.6
200 Ton 1779 kN	50	HG20002	264.5	1322	54.9
	150	HG20006	265.9	3989	91.2
	200	HG20008	264.5	5289	109.8
	300	HG20012	265.9	7977	146.1
300 Ton* 2669 kN	50	HG30002	456.2	2281	184.2
	150	HG30006	456.2	6843	231.8
	300	HG30012	456.2	13685	303.0
400 Ton* 3559 kN	50	HG40002	559.90	2800	269.9
	150	HG40006	559.9	8399	330.2
	300	HG40012	559.9	17077	420.9
500 Ton* 4448 kN	50	HG50002	730.7	3653	401.0
	150	HG50006	730.7	10959	479.9
	300	HG50012	730.7	21919	599.2
600 Ton* 5338 kN	50	HG60002	855.3	4277	474.0
	150	HG60006	855.3	12829	565.2
	250	HG60010	865.7	23088	430.0
	300	HG60012	855.3	25662	700.8
800 Ton* 7117 kN	50	HG80002	1176	5881	741.2
	150	HG80006	1176	17649	868.2
	300	HG80012	1176	35281	1057.8
1000 Ton* 8896 kN	50	HG100002	1465	7329	1061.9
	150	HG100006	1465	21991	1212.9
	300	HG100012	1465	43966	1438.8

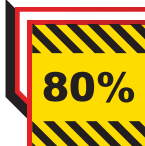
\* Available on request: no stock item



HG300 - HG1000



**HG Series**



**Safety Practices**

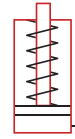
Good industry practice recommends not exceeding 80% of maximum rated capacities of all our products.

Model Number	Collapsed Height A (mm)	Extended Height B (mm)	Cylinder Bore Dia. C (mm)	Outside Dia. D (mm)	Plunger Dia. E (mm)	Saddle Dia. F (mm)	Base To Inlet Port G (mm)	Base Mounting Holes		
								Bolt Circle X (mm)	Thread Size	Thread Depth Z (mm)
HG10002	182	232	130	89	95	75	54	95	M12	22
HG10004	232	332	130	89	95	75	54	95	M12	22
HG10006	282	432	130	89	95	75	54	95	M12	22
HG10008	332	532	130	89	95	75	54	95	M12	22
HG10010	382	632	130	89	95	75	54	95	M12	22
HG10012	432	732	130	89	95	75	54	95	M12	22
HG15002	196	246	158	205	110	94	61	130	M12	22
HG15004	246	346	158	205	110	94	61	130	M12	22
HG15006	296	446	158	205	110	94	61	130	M12	22
HG15008	346	546	158	205	110	94	61	130	M12	22
HG15010	396	646	158	205	110	94	61	130	M12	22
HG15012	446	746	158	205	110	94	61	130	M12	22
HG20002	216	266	183	235	135	113	67	165	M12	20
HG20006	316	466	184	235	135	113	67	165	M12	20
HG20008	366	566	183	235	135	113	67	165	M12	20
HG20012	466	766	184	235	135	113	67	165	M12	20
HG30002	312	362	241	310	197	177	101	180	M16	36
HG30006	412	562	241	310	197	177	101	180	M16	36
HG30012	562	862	241	310	197	177	101	180	M16	36
HG40002	374	424	267	350	216	196	114	205	M16	36
HG40006	474	625	267	350	216	196	114	205	M16	36
HG40012	625	930	267	350	216	196	114	205	M16	36
HG50002	419	469	305	400	248	228	114	250	M24	38
HG50006	519	669	305	400	248	228	114	250	M24	38
HG50012	669	969	305	400	248	228	114	250	M24	38
HG60002	429	479	330	430	267	247	114	275	M24	38
HG60006	529	679	330	430	267	247	114	275	M24	38
HG60010	457	724	332	433	229	200	114	275	M24	38
HG60012	679	979	330	430	267	247	114	275	M24	38
HG80002	474	524	387	505	317	297	149	330	M24	38
HG80006	574	724	387	505	317	297	149	330	M24	38
HG80012	724	1024	387	505	317	297	149	330	M24	38
HG100002	564	614	432	560	343	323	174	375	M24	38
HG100006	664	814	432	560	343	323	174	375	M24	38
HG100012	814	1114	432	560	343	323	174	375	M24	38



# Aluminum Single Acting Cylinders

*HU Series - General Purpose, Spring Return, Lightweight*



HU10006



HU5506



HU2006

## Capacity:

20 - 100 Tons

## Stroke:

50 - 254 mm

## Max. Operating Pressure:

700 BAR

## Min. - Max. Height:

174 - 636 mm



- Lightweight aluminum alloy construction
- Up to 60% lighter than comparable tonnage steel cylinders
- Convenient carry handle on 50 and 100 ton models
- Hard anodized aluminum plunger provides extra protection against corrosion and wear
- Integral steel protective plate
- Maximum working pressure: 10,000 psi / 700 bar



### Safety Practices

Good industry practice recommends not exceeding 80% of maximum rated capacities of all our products.



### High-Flow Couplers

High-Flow Coupler: CH38F is included on all models (except where specified).

## Aluminum vs. Steel Cylinders

Aluminum cylinders provide a great alternative to the traditional steel cylinder in many applications. Being up to 60% lighter in weight, Aluminum cylinders are easier portable and reduce user fatigue and strain. However, due to the finite properties of Aluminum vs. Steel, these cylinders should NOT be used in high cycle applications. The BVA Aluminum cylinders are designed for a maximum safety rating of 5,000 cycles. Under normal lifting applications this should provide a long service life.



HU5506

### Aluminum Cylinders

- 60% lighter in weight than steel
- Easier portable and reduces user fatigue
- Not to be used for high cycle applications
- Under normal conditions, the maximum rated safety cycle life is 5,000 cycles
- Base of the cylinder contains a steel plate\*

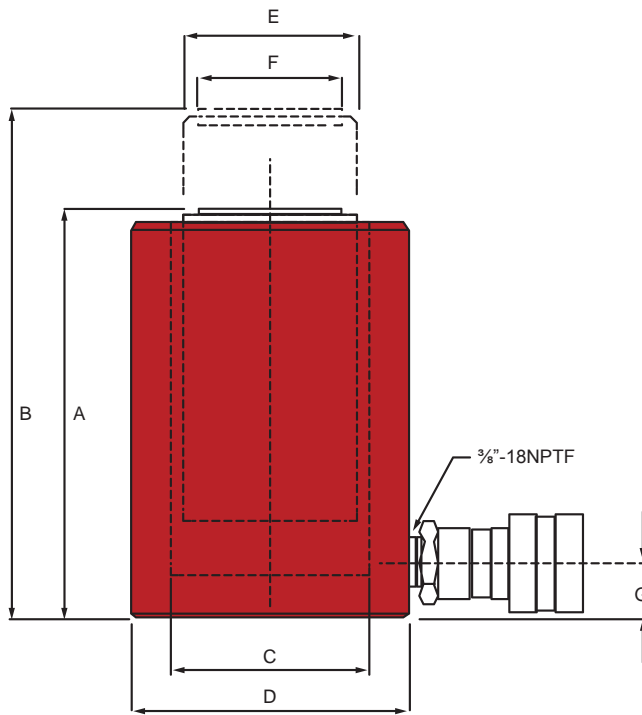


H5506

### Steel Cylinders

- Much heavier than aluminum cylinders
- Low portability on heavier cylinders which creates user fatigue and strain
- Will out-perform aluminum cylinders in higher cycle applications
- Can exceed aluminum cylinders maximum safety cycle life of 5,000 cycles.

\*The base of the cylinders contain a steel plate with mounting holes that are designed to protect the cylinder from damage and should NOT be used in fixturing applications and ONLY be used to attach larger base mounting plates for lifting stability. They are NOT designed to withstand the full ratings of the cylinders.



### HU Series



#### Related Product: Gauges

Reduce the risk of overloading your product by using a gauge. A variety of graduations and types to suit any need.

pg 65



#### Related Product: Hoses

We offer a variety of hoses, fittings, lengths and materials.

pg 67



#### Safety Instructions

Visit our DO'S and DON'TS section to review the best methods of operation. Always be prepared.

pg 102

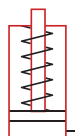
Cylinder Capacity	Stroke (mm)	Model Number	Cylinder Effective Area (cm <sup>2</sup> )	Oil Capacity (cc)	Collapsed Height A (mm)	Extended Height B (mm)	Cylinder Bore Dia. C (mm)	Outside Dia. D (mm)	Plunger Dia. E (mm)	Saddle Dia. F (mm)	Base to Inlet Port G (mm)	Weight (kg)
20 Ton 178 kN	50	HU2002	31.2	156	174	224	63	85	51	40	27	3.0
	100	HU2004	31.2	312	224	324	63	85	51	40	27	3.7
	150	HU2006	31.2	468	274	424	63	85	51	40	27	4.4
30 Ton 267 kN	50	HU3002	44.2	221	181	231	75	100	60	40	34	4.7
	100	HU3004	44.2	442	231	331	75	100	60	40	34	5.4
	150	HU3006	44.2	663	281	431	75	100	60	40	34	6.1
50 Ton 445 kN	50	HU5502*	70.9	354	186	236	95	130	80	70	30	7.6
	100	HU5504*	70.9	709	236	336	95	130	80	70	30	10.3
	150	HU5506*	70.9	1063	286	436	95	130	80	70	30	11.6
	200	HU5508*	70.9	1418	336	536	95	130	80	70	30	12.3
	250	HU5510*	70.9	1772	386	636	95	130	80	70	30	14.2
100 Ton 890 kN	51	HU10002*	133.6	678	165	216	130	203	109	89	38	16.3
	102	HU10004*	133.6	1357	216	318	130	203	109	89	38	19.5
	152	HU10006*	133.6	2039	267	419	130	203	109	89	38	23.1
	254	HU10010*	133.6	3392	368	622	130	203	109	89	38	30.8

\* Are equipped with carrying handles.



### Low Profile Cylinders

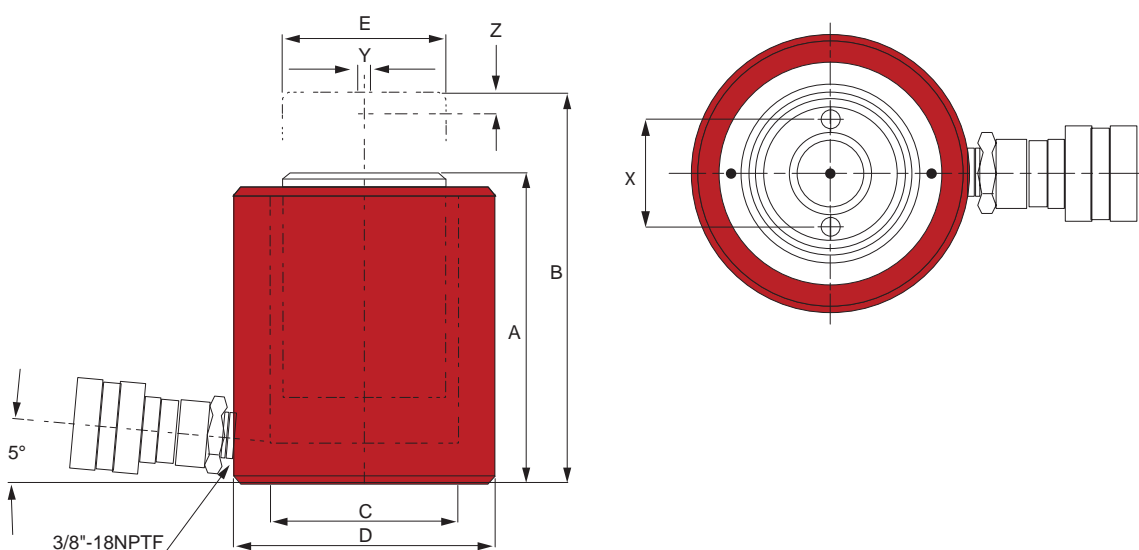
#### HL Series - Low Clearance Lifting



- Compact design for use in confined spaces
- Plunger wiper helps seal out dirt and contamination
- Specially designed return spring provides quick retraction and extends the life of the spring
- Hard chrome plated plunger helps prevent scratching and corrosion
- Plunger end is grooved to reduce load slippage
- Includes high flow coupler and dust cap
- HL1001, HL2002, and HL3002 coupler is tilted 5° for added clearance



#### HL Series



Cylinder Capacity	Stroke (mm)	Model Number	Cylinder Effective Area (cm <sup>2</sup> )	Oil Capacity (cc)	Weight (kg)
10 Ton 89 kN	38	HL1001	15.2	58	2.6
20 Ton 178 kN	44	HL2002	28.2	125	5.0
30 Ton 267 kN	62	HL3002	41.9	260	6.8
50 Ton 445 kN	60	HL5002	63.7	382	9.9
100 Ton 890 kN	57	HL10002	126.7	722	20.6

Low profile cylinders are great for confined spaces.



Model Number	Collapsed Height A (mm)	Extended Height B (mm)	Cylinder Bore Diameter C (mm)	Outside Diameter D (mm)	Plunger Diameter E (mm)	Plunger Mounting		
						Bolt Circle X (mm)	Thread Y	Thread Depth Z (mm)
HL1001	88	126	44	70	38	26	M4	8
HL2002	99	144	60	92	51	40	M4	8
HL3002	117	179	73	102	64	40	M5	8
HL5002	122	182	90	124	70	40	M5	8
HL10002	141	198	127	165	90	56	M8	3



# Low Profile Cylinders Combo Kit

Low Clearance Lifting

Press truck wheel from nave with the mini-press. Fits between the chassis and wheel.



- Compact design for use in confined spaces
- Ideal for pushing applications
- Plunger wiper helps seal out dirt and contamination
- Return spring ensures a quick retraction and extends the life of the spring
- Industrial hard chrome plated plunger helps prevent scratching and corrosion
- Includes stackable 1", 2", and 3" aluminum adapters that conveniently snap into the base of the plunger
- Includes high flow CH38F coupler and dust cap
- Convenient storage case

## HL Series



76 mm Adapter  
25 mm Adapter  
51 mm Adapter  
38 mm Saddle

HL-1001-D



### Safety Practices

Good industry practice recommends not exceeding 80% of maximum rated capacities of all our products.



### Related Product: Hoses

We offer a variety of hoses, fittings, lengths and materials.

pg 67



### High-Flow Couplers

High-Flow Coupler: CH38F is included on all models (except where specified).

Cylinder Capacity	Model Number	Stroke (mm)	Cylinder Effective Area (cm <sup>2</sup> )	Collapsed Height (mm)	Extended Height w/o adapter (mm)	Internal Pressure at Capacity (BAR)	Cylinder Housing Diameter (mm)	Plunger Diameter (mm)	Weight (kg)
10 Ton 89 kN	HL-1001-D	38	15.16	88	126	0.59	70	38	4.5

## Bolt-On Tilt Saddles



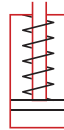
Bolt-On tilt saddles are designed specifically for use with the HL Series Low Profile Cylinders and Low Profile Cylinder Kit. These saddles provide a max. 5° tilt for uneven loads.

Model Number	Height (mm)	Description
SDTL10	21	HL1001 Cylinder Kit
SDTL50	29	HL2002/HL3002/HL 5002 Cylinder
SDTL100	35	HL10002 Cylinder

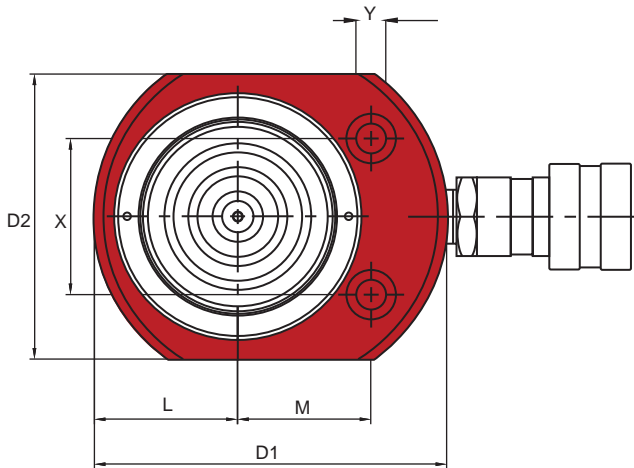


# Flat Body Cylinders

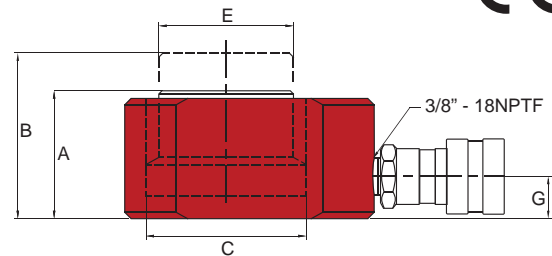
*Extremely Low Lifting*



- Extremely low collapsed height for applications with minimal clearance at the lift point
- Maximum working pressure 10,000 psi / 700 bar
- HF0503 and HF0503B include a 3/8" regular flow coupler (CR38F)



## HF Series



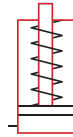
HF5006 in the collapsed position ready to lift a load with a PA1500 foot pump.



Cylinder Capacity	Stroke (mm)	Model Number	Cylinder Effective Area (cm <sup>2</sup> )	Oil Capacity (cc)	Weight (kg)
5 Ton / 44 kN	16	HF0500	7.1	11	0.9
5 Ton / 44 kN	6	HF0503*	7.1	4	0.6
10 Ton / 89 kN	11	HF1005	15.2	17	1.5
20 Ton / 178 kN	11	HF2005	28.3	31	2.7
30 Ton / 267 kN	13	HF3005	41.9	54	4.4
50 Ton / 445 kN	16	HF5006	63.6	102	6.8
75 Ton / 667 kN	16	HF7506	103.9	166	11.5
100 Ton / 890 kN	16	HF10006	126.7	203	14.3
150 Ton / 1495 kN	16	HF15006	197.9	316	24.2

Model Number	Collapsed Height A (mm)	Extended Height B (mm)	Cylinder Bore Dia. C (mm)	Outside Dia. D1 x D2 D (mm)	Plunger Dia. E (mm)	Base to Inlet Port G (mm)	Plunger to Base L (mm)	Plunger to Mtg. Hole M (mm)	Hole Pitch X (mm)	Hole Dia. Y (mm)	Counter Bore Dia. (mm)	Counter Bore Depth (mm)
HF0500	41	57	30	60x40	25	19	20	22	28	5	10	6
HF0503*	32	38	30	61x41	25	18	20	22	28	5	8	4
HF1005	43	54	44	84x56	38	20	28	34	37	7	11	8
HF2005	51	62	60	102x76	51	19	39	40	49	10	15	10
HF3005	59	72	73	117x97	64	20	48	44	52	10	16	11
HF5006	67	83	90	114x114	70	20	57	54	67	11	19	13
HF7506	80	96	115	165x140	90	20	70	67	76	13	21	14
HF10006	86	102	127	178x152	90	20	76	75	76	13	21	14
HF15006	100	116	159	216x191	118	24	3.75	95	117	13	21	14

\*HF0503 is fitted with the CR38F coupler instead of CH38F



# Flat Body Cylinder Kits

HF Series - Kits



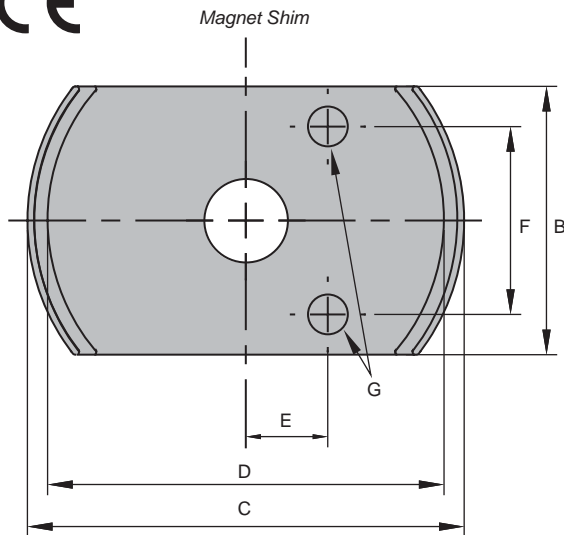
- Various height stackable magnetic adapters eliminate dangerous cribbing
- Convenient carrying case
- Magnetic adapters are stackable
- U.S. Patent No.7,237,762 B2

HF Series



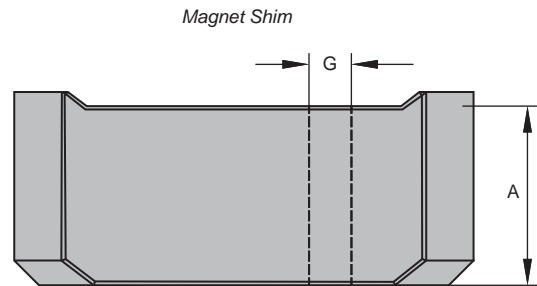
### Safety Practices

Good industry practice recommends not exceeding 80% of maximum rated capacities of all our products.



### High-Flow Couplers

High-Flow Coupler: CH38F is included on all models (except where specified)



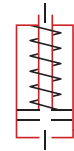
Cylinder Capacity	Stroke (mm)	Model Number	Cylinder Model	Oil Capacity (cc)	Collapsed Height (mm)	Weight (kg)	Adapter Dimensions						
							A (mm)	B (mm)	C (mm)	D (mm)	E (mm)	F (mm)	G (mm)
5 Ton 44 kN	6	HF0503B**	HF0503	4	32	2.5	4	41	65	59	12	28	6
							11	41	65	59	12	28	6
							23	41	65	59	12	28	6
							30	41	65	59	12	28	6
10 Ton 89 kN	11	HF1005B	HF1005	17	43	4.2	10	56	90	82	21	37	7
							20	56	90	82	-	-	-
							40	56	90	82	-	-	-
20 Ton 178 kN	11	HF2005B	HF2005	31	51	6.8	10	76	108	100	27	49	10
							20	76	108	100	-	-	-
							40	76	108	100	-	-	-
30 Ton 267 kN	13	HF3005B	HF3005	54	59	9.5	10	95	121	113	34	52	10
							20	95	121	113	-	-	-
							40	95	121	113	-	-	-
50 Ton 445 kN	16	HF5006B	HF5006	102	67	14.7	10	114	150	141	41	67	11
							20	114	150	141	-	-	-
							40	114	150	141	-	-	-

\*\*HF0503B is fitted with the coupler CR38F



# Hollow Plunger Cylinders

HC Series



**Capacity:**

12-100 Tons

**Stroke:**

8 - 155 mm

**Max. Operating Pressure:**

700 BAR

**Min. - Max. Height:**

60 - 486 mm



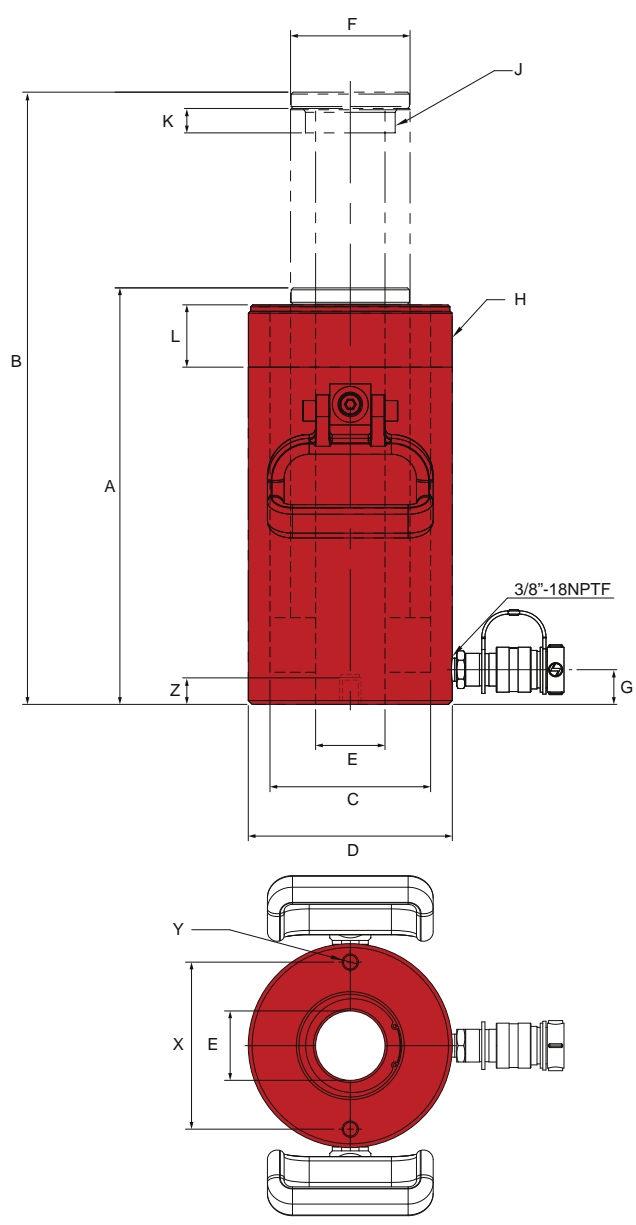
Here is a HC6006T in a pulling application.



- Ideal for pulling and pushing applications
- Heavy duty compression spring
- Dual wipers help prevent contamination
- Collar thread protector
- High flow coupler with dust cap
- XT cylinders do not have internal plunger threads
- 60 and 100 Ton models are equipped with carrying handles

Cylinder Capacity	Stroke (mm)	Model Number	Cylinder Effective Area (cm <sup>2</sup> )	Oil Capacity (cc)	Weight (kg)	Collapsed Height A (mm)	Extended Height B (mm)	Bore Dia. C (mm)	O.D. D (mm)
12 Ton 107 kN	8	HC1201T	18.8	15	1.5	60	68	49	70
	41	HC1202	18.8	77	2.8	120	162	49	70
	41	HC1202XT	18.8	77	2.8	120	162	49	70
	76	HC1203XT	18.8	143	3.9	184	260	49	70
20 Ton 178 kN	51	HC2002T	31.6	161	7.2	162	213	64	100
	154	HC2006T	31.6	487	13.4	306	460	64	100
30 Ton 267 Ton	64	HC3002T	40.8	261	10.4	179	243	72	114
	155	HC3006T	40.8	634	19.5	331	486	72	114
60 Ton 534 kN	76	HC6003T*	84.2	641	29.8	248	324	104	159
	152	HC6006T*	84.2	1282	36.8	324	477	104	159
100 Ton 890 kN	76	HC10003T*	142.8	1087	51.4	254	330	135	213

\* Cylinder is fitted with carrying handles



**HC Series**

**80% Safety Practices**  
 Good industry practice recommends not exceeding 80% of maximum rated capacities of all our products.

**Combo Kits**  
 Most cylinders are available in easy to order kits: cylinder, gauge, couplers, hose and pump. pg 60

**Related Product: Gauges**  
 Reduce the risk of overloading your product by using a gauge. A variety of graduations and types to suit any need. pg 65

**Safety Instructions**  
 Visit our DO'S and DON'TS section to review the best methods of operation. Always be prepared. pg 102

**High-Flow Couplers**  
 High-Flow Coupler: CH38F is included on all models (except where specified).

Model Number	Plunger				Collar Thread		Base to Inlet Port G (mm)	Base Mounting Hole		
	I.D. E (mm)	O.D. F (mm)	Internal Thread J	Internal Thread Length K (mm)	Diameter H	Length L (mm)		Bolt Circle X (mm)	Thread Y	Thread Depth Z (mm)
HC1201T*	20	35	3/4"-16UN	16	2 3/4"-16N	46	14	51	5/16"-18UNC	9
HC1202*	20	35	3/4"-16UN	16	2 3/4"-16N	46	15	51	5/16"-18UNC	9
HC1202XT*	20	35	-	-	2 3/4"-16N	46	15	51	5/16"-18UNC	9
HC1203XT	20	35	-	-	2 3/4"-16N	46	19	51	5/16"-18UNC	9
HC2002T	27	55	1-9/16"-16UN	19	3 7/8"-12N	38	19	83	3/8"-16UNC	9
HC2006T	27	55	1-9/16"-16UN	19	3 7/8"-12N	38	19	83	3/8"-16UNC	9
HC3002T	33	63	1-13/16"-16UN	22	4 1/2"-12N	42	23	92	3/8"-16UNC	14
HC3006T	33	63	1-13/16"-16UN	22	4 1/2"-12N	42	23	92	3/8"-16UNC	14
HC6003T**	54	93	2 3/4"-16UN	19	6 1/4"-12N	49	27	130	1/2"-13UNC	14
HC6006T**	54	93	2 3/4"-16UN	19	6 1/4"-12N	49	27	130	1/2"-13UNC	14
HC10003T**	79	125	4"-16UN	25	8 3/8"-12N	60	27	178	5/8"-11UNC	19

\* Cylinder is fitted with a CRZ14F regular flow coupler  
 \*\* Cylinder is fitted with carrying handles



# Lock Nut Cylinders

**HLN Series - Heavy Lifting w/  
Mechanical Lock Nut**



**Capacity:**

50 - 300 Tons

**Stroke:**

50 - 300 mm

**Max. Operating Pressure:**

700 BAR

**Min. - Max. Height:**

165 - 845 mm



- Single acting cylinder with mechanical safety lock nut
- Designed to support loads without hydraulic pressure
- Overflow port prevents cylinders from over travel
- Load return
- Solid steel cylinder body
- Electroless nickel plated plunger to resist corrosion and rust
- Maximum working pressure: 10,000 psi / 700 bar

HLN10012

HLN10002

HLN15006

HLN5504

Cylinder Capacity	Stroke (mm)	Model Number	Cylinder Effective Area (cm <sup>2</sup> )	Oil Capacity (cc)	Weight (kg)
55 Ton 489 kN	50	HLN5502	70.9	355	15.4
	100	HLN5504	70.9	709	20.4
	150	HLN5506	70.9	1064	24.9
	200	HLN5508	70.9	1418	29.9
	250	HLN5510	70.9	1773	34.9
	300	HLN5512	70.9	2127	39.5
100 Ton 890 kN	50	HLN10002	132.7	664	30.4
	100	HLN10004	132.7	1327	39.0
	150	HLN10006	132.7	1991	47.2
	200	HLN10008	132.7	2654	55.8
	250	HLN10010	132.7	3318	64.0
	300	HLN10012	132.7	3981	72.6
150 Ton 1334 kN	50	HLN15002	201	1006	52.6
	100	HLN15004	201	2012	65.8
	150	HLN15006	201	3018	78.9
	200	HLN15008	201	4019	91.6
	250	HLN15010	201	5025	104.8
	300	HLN15012	201	6031	117.5
200 Ton 1779 kN	50	HLN20002	264.5	1322	82.1
	100	HLN20004	264.5	2645	98.9
	150	HLN20006	264.5	3966	116.1
	200	HLN20008	264.5	5293	132.9
	250	HLN20010	264.5	6612	150.1
	300	HLN20012	264.5	7934	166.9
250 Ton 2224 kN	50	HLN25002	363.1	1815	114.8
	150	HLN25006	363.1	5446	161.5
	300	HLN25012	363.1	10891	231.3
300 Ton 2669 kN	50	HLN30002	454.3	2271	171.9
	150	HLN30006	454.3	6814	231.3
	300	HLN30012	454.3	13628	320.2

### Optional Tilt Saddles

SDT55	→	HLN55, HLN100 Cylinders
SDT200	→	HLN150, HLN200 Cylinders
SDT250	→	HLN250
SDT300	→	HLN300

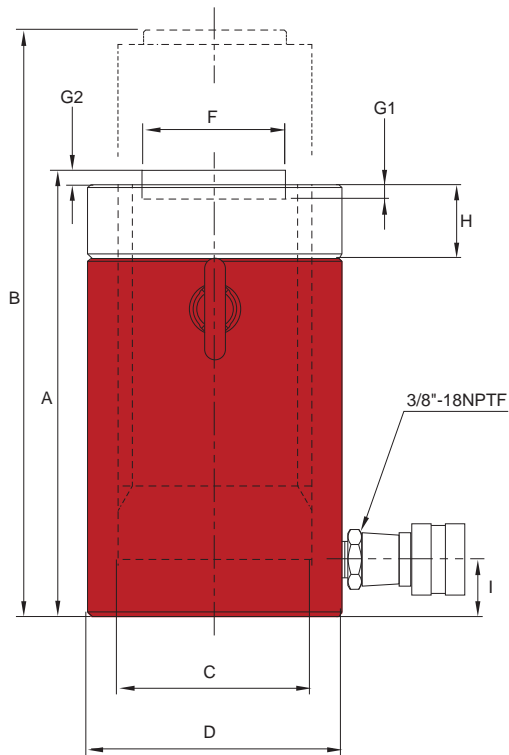


Saddles tilt to a 5° max to adjust to the load.

pg 41

(42) HLN5508 lock nut cylinders lifting the Jordan Bridge in Chesapeake, VA.





### HLN Series

#### Safety Color Band



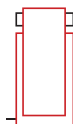
BVA Lock nut cylinders are equipped with a yellow safety band. Do not extend the ram beyond this point as it may result in a loss of hydraulic oil and damage to the cylinder and/or load.

**80%**

#### Safety Practices

Good industry practice recommends not exceeding 80% of maximum rated capacities of all our products.

Model Number	Collapsed Height A (mm)	Extended Height B (mm)	Cylinder Bore Diameter C (mm)	Outside Diameter D (mm)	Saddle Diameter F (mm)	Depth of Plunger Hole G1 (mm)	Saddle Protrusion From Plunger G2 (mm)	Lock Nut Length H (mm)	Base to Inlet Port I (mm)
HLN5502	165	213	94	124	71	13	2	36	28
HLN5504	213	315	94	124	71	13	2	36	28
HLN5506	264	414	94	124	71	13	2	36	28
HLN5508	315	513	94	124	71	13	2	36	28
HLN5510	363	615	94	124	71	13	2	36	28
HLN5512	414	714	94	124	71	13	2	36	28
HLN10002	188	236	130	165	71	13	2	46	28
HLN10004	236	338	130	165	71	13	2	46	28
HLN10006	287	437	130	165	71	13	2	46	28
HLN10008	338	536	130	165	71	13	2	46	28
HLN10010	386	638	130	165	71	13	2	46	28
HLN10012	437	737	130	165	71	13	2	46	28
HLN15002	209	259	160	205	130	25	2	44	39
HLN15004	259	359	160	205	130	25	2	44	39
HLN15006	309	459	160	205	130	25	2	44	39
HLN15008	359	559	160	205	130	25	2	44	39
HLN15010	409	659	160	205	130	25	2	44	39
HLN15012	459	759	160	205	130	25	2	44	39
HLN20002	243	292	183	235	130	25	2	50	50
HLN20004	293	393	183	235	130	25	2	50	50
HLN20006	343	495	183	235	130	25	2	50	50
HLN20008	394	594	183	235	130	25	2	50	50
HLN20010	442	693	183	235	130	25	2	50	50
HLN20012	493	793	183	235	130	25	2	50	50
HLN25002	249	299	215	275	150	25	2	56	50
HLN25006	349	499	215	275	150	25	2	56	50
HLN25012	499	799	215	275	150	25	2	56	50
HLN30002	295	345	241	310	139	25	5	60	59
HLN30006	395	545	241	310	139	25	5	60	59
HLN30012	545	845	241	310	139	25	5	60	59



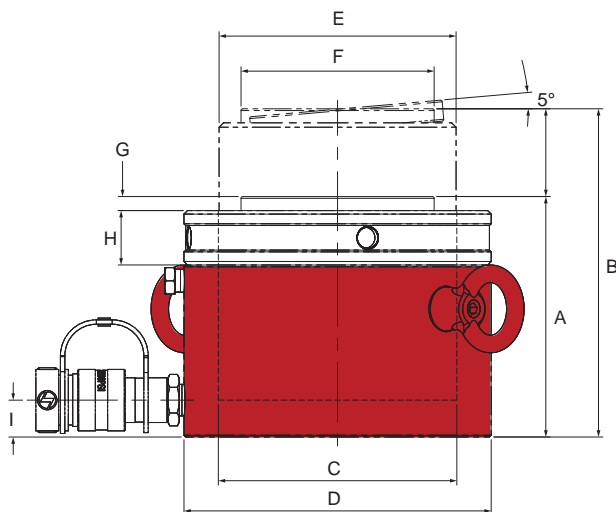
## Low Profile Lock Nut Cylinders

Low Clearance Lifting w/ Mechanical Lock Nut



- Single acting cylinder with mechanical safety lock nut
- Designed to support loads without hydraulic pressure
- Low profile for confined spaces
- 5° tilting saddle is standard
- Maximum working pressure: 10,000 psi/700 bar
- Equipped with CH38F high flow coupler
- Load Return

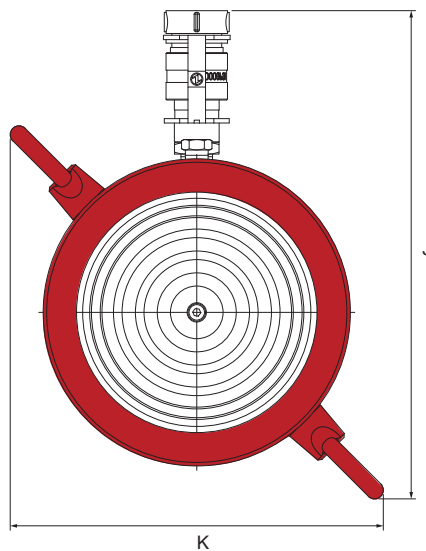
HLNF Series



**Related Product: Gauges**  
 Reduce the risk of overloading your product by using a gauge. A variety of graduations and types to suit any need. pg 65

**Safety Color Band**  
 BVA Lock nut cylinders are equipped with a yellow safety band. Do not extend the ram beyond this point as it may result in a loss of hydraulic oil and damage to the cylinder and/or load.

**Safety Instructions**  
 Visit our DO'S and DON'TS section to review the best methods of operation. Always be prepared. pg 102



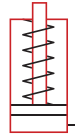
Cylinder Capacity	Stroke (mm)	Model Number	Cylinder Effective Area (cm <sup>2</sup> )	Oil Capacity (cc)	Weight (kg)
60 Ton / 534 kN	50	HLNF6002	86.6	433	14.2
100 Ton / 890 kN	50	HLNF10002	144.9	725	24.5
160 Ton / 1423 kN	45	HLNF16002	229.1	1031	41.3
200 Ton / 1779 kN	45	HLNF20002	283.6	1276	53.8
250 Ton / 2224 kN	45	HLNF25002	363.1	1634	70.1

Model Number	Collapsed Height A (mm)	Extended Height B (mm)	Cylinder Bore Dia. C (mm)	Outside Dia. D (mm)	Plunger Outside Thread E	Saddle Dia. F (mm)	Saddle Protrusion From Plunger G (mm)	Lock Nut Length H (mm)	Base to Inlet Port I (mm)	Coupler to Eyelet J (mm)	Eyelet to Eyelet K (mm)
HLNF6002	125	175	105	140	TW105-4N	82	6	28	19	248	188
HLNF10002	137	187	136	175	TW135-4N	110	8	31	21	278	213
HLNF16002	148	193	171	220	TW170-4N	148	9	40	27	316	244
HLNF20002	155	200	190	245	TW190-4N	160	10	43	30	338	262
HLNF25002	159	204	215	275	TW215-4N	185	11	44	32	363	283



# Threaded Cylinders

## HT Series



- Ideal for frame pulling machines
- Threaded plunger and base
- Single acting cylinders with spring return
- Removable threaded Plunger adapter for attaching accessories to plunger end and base
- Maximum working pressure: 10,000 psi / 700 bar

**Safety Practices**  
Good industry practice recommends not exceeding 80% of maximum rated capacities of all our products.

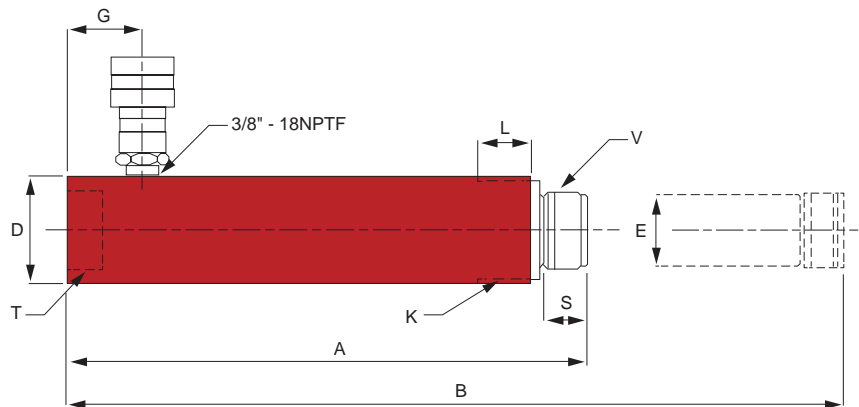
**Combo Kits**  
Most cylinders are available in easy to order kits: cylinder, gauge, couplers, hose and pump. pg 60

**Safety Instructions**  
Visit our DO'S and DON'TS section to review the best methods of operation. Always be prepared. pg 102

**High-Flow Couplers**  
High-Flow Coupler: CH38F is included on all models (except where specified).

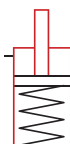


HT Series



Cylinder Capacity	Stroke (mm)	Model Number	Cylinder Effective Area (cm <sup>2</sup> )	Oil Capacity (cc)	Collapsed Height A (mm)	Extended Height B (mm)	Weight (kg)
10 Ton 89 kN	151	HT1006	14.5	218	291	442	4.8
	253	HT1010	14.5	365	393	646	6.4
20 Ton 178 kN	131	HT2005	33.2	421	299	430	10.0

Model Number	Outside Dia. D (mm)	Plunger Dia. E (mm)	Base to Inlet Port G (mm)	Collar K	Collar Thread Length L (mm)	Saddle Height S (mm)	Base Threads T	Plunger Threads V
HT1006	57	38	42	2.25"-14UN	29	24	1.25" -11.5 NPSM	1.25" -11.5 NPSM
HT1010	57	38	42	2.25"-14UN	29	24	1.25" -11.5 NPSM	1.25" -11.5 NPSM
HT2005	85	57	47	3.31"-12UN	50	36	2" -11.5 NPTF	2" -11.5 NPSM

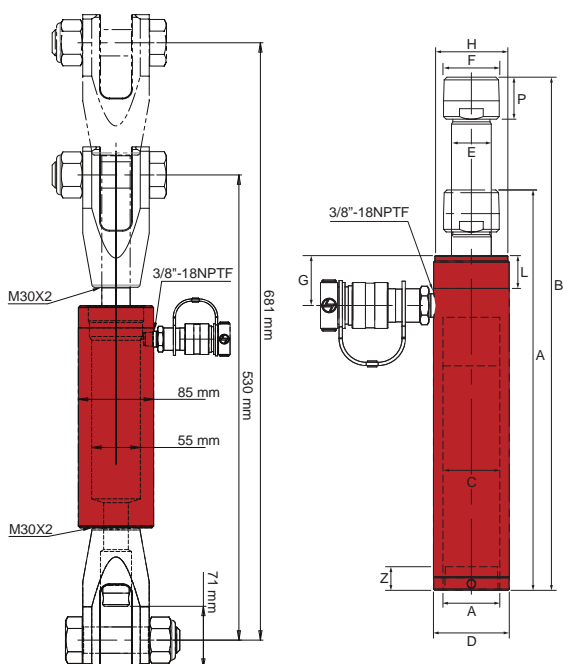


### Pull Cylinders

#### HP Series - High-Tonnage Pulling

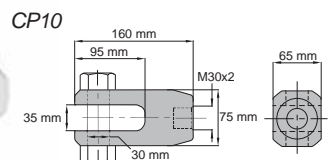
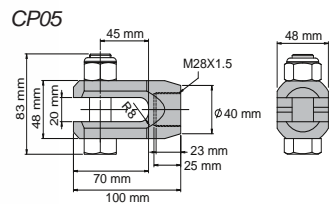
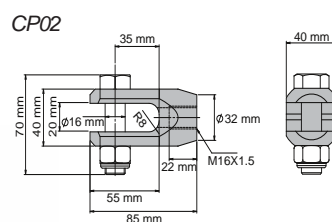
- High strength steel construction
- One piece high grade alloy bearing for side load protection and longer life
- Polyurethane cup seal provides optimum performance
- External plunger threads and Internal base threads
- Used for pulling and tensioning
- Maximum working pressure: 10,000 psi / 700 bar
- Spring extend return

#### HP Series



#### CP02, CP05 & CP10

The CP02/CP05/CP10\* is a male/female set. This clevis is designed to aid in pulling applications with all the HP series cylinders.

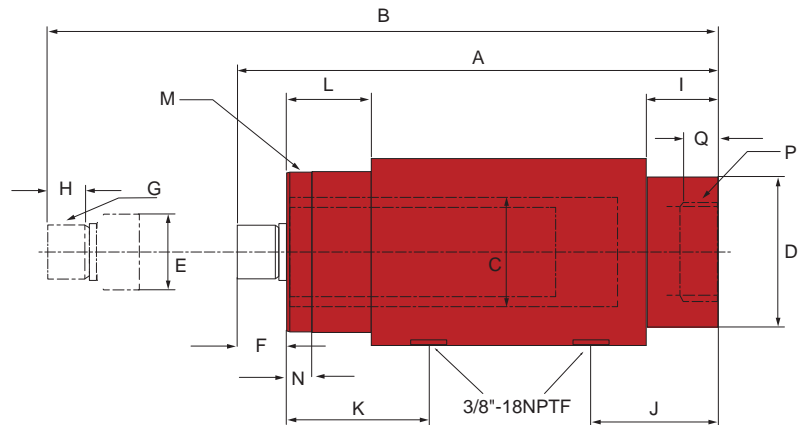


Cylinder Capacity	Stroke (mm)	Model Number	Cylinder Effective Area (cm <sup>2</sup> )	Oil Capacity (cc)	Collapsed Height A (mm)	Extended Height B (mm)	Outside Dia. D (mm)	Cylinder Bore Dia. C (mm)	Top to Inlet Port G (mm)	Collar	
										Thread H	Thread Length L (mm)
2.5 Ton / 22 kN	127	HP0205	3.6	46	268	395	48	29	42	1½"-16UN	25
5 Ton / 44 kN	141	HP0505	7.4	104	303	444	57	43	38	2¼"-14UN	25
10 Ton / 100 kN	151	HP1006	15.7	237	299	450	85	55	38	M85x2	25

Model Number	Adapter		Plunger			Base Mounting Hole		Weight (kg)	Optional Clevis
	Thread F (mm)	Length P (mm)	Dia. E (mm)	Thread Length K (mm)	Thread Q (mm)	Thread Y	Depth Z (mm)		
HP0205	¾"-14NPTF	29	19	19	M16 x 1.5	¾"-14NPTF	18	2.9	CP02
HP0505	1¼"-11.5NPTF	32	30	24	M28 x 1.5	1¼"-11.5NPTF	24	4.2	CP05
HP1006*	-	-	32	26	M30 x 2	M30x2	25	9.5	CP10

# Precision Double Acting Cylinders


HPD Series - High-Cycle Fixtured Application



HPD Series

\*Note: Precision double acting cylinders do not come with couplers.

- Provides hydraulic power for both extend and retract
- Designed for high cycle production applications
- High strength steel construction from gun drilled solid bar
- Plunger wiper seals keep dirt and contamination out
- Clevis eye attachments are available
- Maximum working pressure: 10,000 psi / 700 bar




**Related Product: Hoses**

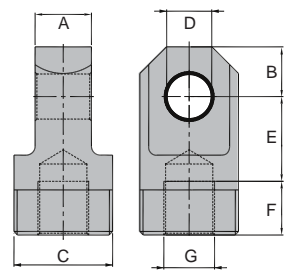
We offer a variety of hoses, fittings, lengths and materials.

pg 67

Cylinder Capacity	Model Number	Push Effective Area (cm <sup>2</sup> )	Pull Effective Area (cm <sup>2</sup> )	Collapsed Height A (mm)	Extended Height B (mm)	Cylinder Bore Dia. C (mm)	Outside Dia. D (mm)
9 Ton 80 kN	HPD0906	11.4	6.5	350	505	38	64
	HPD0910	11.4	6.5	452	709	38	64
16 Ton 142 kN	HPD1606	20.3	10.1	389	548	51	76
	HPD1610	20.3	10.1	490	750	51	76

Model Number	Plunger				Base to Inlet Port J (mm)	Top to Return Port K (mm)	Collar					Weight (kg)
	Dia. E (mm)	Protrusion F (mm)	Thread G	Thread Length H (mm)			Length L (mm)	Thread M	Thread Length N (mm)	Int. Base Thread P	Int. Base Thread Length Q (mm)	
HPD0906	25	25	3/4"-16N	19	38	56	38	2"-12N	15	1-11/16"-18N	35	6.6
HPD0910	25	25	3/4"-16N	19	38	56	38	2"-12N	15	1-11/16"-18N	35	8.4
HPD1606	36	29	1 1/8"-12N	25	54	73	54	2 5/8"-16N	25	2-3/16"-16N	41	10.0
HPD1606	36	29	1 1/8"-12N	25	54	73	54	2 5/8"-16N	25	2-3/16"-16N	41	12.8





## CED Series

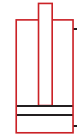
By attaching this clevis eye to a HPD cylinder, you gain the ability for pull applications. For use with the 9 or 16 ton HPD cylinders only.

Dimensions (mm)							
Model Number	A	B	C	D	E	F	G
CED09	25	23	1-11/16"-16N	19	33	24	3/4"-16N
CED16	32	28	2-3/16"-16N	25	48	30	1 1/8"-12N



## Double Acting Cylinders

HD Series - General Purpose



**Capacity:**

10 - 100 Tons

**Stroke:**

155 - 461 mm

**Pressure:**

700 BAR

**Min. - Max. Height:**

331 - 1269 mm



HD10006

HD3008

- Plunger wiper seals out dirt and contamination
- High strength steel construction from gun drilled solid bar
- High flow 3/8" NPTF female couplers
- One piece high grade alloy bearing for side load protection and long life
- Ideal for pushing and pulling
- Maximum working pressure: 10,000 psi / 700 bar
- Threaded cylinders, removable saddle, thicker cylinder walls
- Retract under hydraulic power for faster operation



**Safety Practices**

Good industry practice recommends not exceeding 80% of maximum rated capacities of all our products.



HD cylinders can be used in pushing and pulling applications. In this photo, we see a HD2506 HD cylinder set up for a pull application using a Plunger Clevis cylinder accessory



With a variety of tonnage and sizes, you can apply our cylinders on a large variety of applications. Custom tonnages and stroke lengths are available upon request.



## HD Series

### HDU Series – Aluminum Cylinders



Aluminum cylinders make a great lightweight alternative being up to 60% lighter than comparable steel models.

pg 36

### Cylinder Accessories



See the assortment of accessories designed to work with our products.

pg 40

### Combo Kits



Most cylinders are available in easy to order kits: Cylinder, Gauge, Couplers, Hose and Pump.

pg 60

### Related Product: Gauges



Reduce the risk of overloading your product by using a gauge. A variety of graduations and types to suit any need.

pg 65

### Safety Instructions



Visit our DO'S and DON'TS section to review the best methods of operation. Always be prepared.

pg 102

### High-Flow Couplers



High-Flow Coupler: CH38F is included on all models (except where specified).

### Relief Valve



All double acting cylinders are equipped with a pressure relief valve located next to the retract port. These pressure relief valves help prevent cylinder over pressurization on the return port side of the cylinder.

## Quick Selection Guide

Cylinder Capacity	Stroke (mm)	Model Number	Collapsed Height (mm)	Oil Capacity		Weight (kg)
				Push (cc)	Pull (cc)	
10 Ton 89 kN	255	HD1010	409	367	122	12.1
	304	HD1012	458	438	146	13.6
30 Ton 267 kN	207	HD3008	389	867	426	19.5
	368	HD3014	550	1542	758	27.5
55 Ton 489 kN	157	HD5506*	331	1113	323	32.0
	335	HD5513*	509	2375	690	47.2
	511	HD5520*	733	3623	1053	66.3
75 Ton 667 kN	155	HD7506*	348	1608	511	42.5
	333	HD7513*	526	3457	1099	62.1
100 Ton 890 kN	167	HD10006*	357	2216	1032	62.9
	257	HD10010*	449	3413	1591	76.7
	333	HD10013*	524	4419	2058	87.8
	461	HD10018*	687	6117	2849	112.6

\* Are equipped with carrying handles.



## Double Acting Cylinders

### HD Series - General Purpose

**Cylinder Accessories**  
See the assortment of accessories designed to work with our products. pg 40

**Related Product: Gauges**  
Reduce the risk of overloading your product by using a gauge. A variety of graduations and types to suit any need. pg 65

**Combo Kits**  
Most cylinders are available in easy to order kits: Cylinder, Gauge, Couplers, Hose and Pump. pg 60

**Safety Instructions**  
Visit our DO'S and DON'TS section to review the best methods of operation. Always be prepared. pg 102



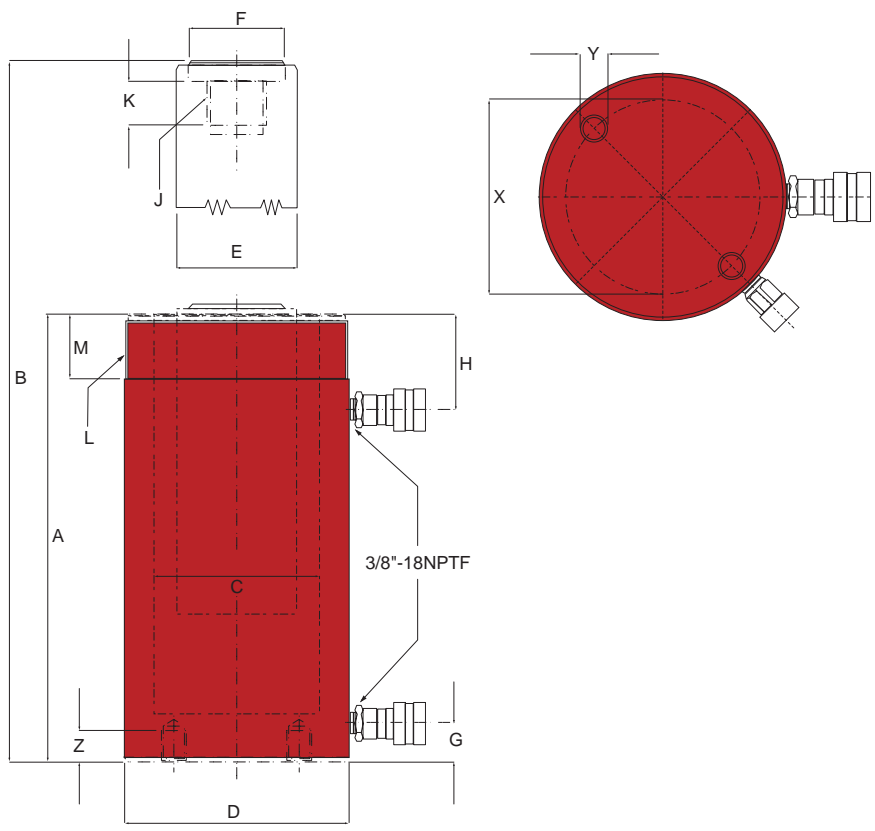
HD10018

HD10006

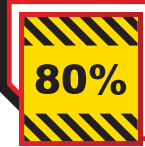
HD3008

Cylinder Capacity	Stroke (mm)	Model Number	Maximum Cylinder Capacity		Cylinder Effective Area		Oil Capacity		Weight (kg)	Collapsed Height A (mm)	Extended Height B (mm)	Cylinder Bore Dia. C (mm)
			Push (ton)	Pull (ton)	Push (cm <sup>2</sup> )	Pull (cm <sup>2</sup> )	Push (cc)	Pull (cc)				
10 Ton 89 kN	255	HD1010	11.4	3.8	14.5	4.8	367	122	12.1	409	665	43
	304	HD1012	11.4	3.8	14.5	4.8	438	146	13.6	458	762	43
30 Ton 267 kN	207	HD3008	32.9	16.2	41.9	20.6	867	426	19.5	389	596	73
	368	HD3014	32.9	16.2	41.9	20.6	1542	758	27.5	550	918	73
55 Ton 489 kN	157	HD5506*	55.7	16.2	70.9	20.6	1113	323	32.0	331	488	95
	335	HD5513*	55.7	16.2	70.9	20.6	2375	690	47.2	509	844	95
	511	HD5520*	55.7	16.2	70.9	20.6	3623	1053	66.3	733	1269	95
75 Ton 667 kN	155	HD7506*	81.7	25.9	103.8	33	1608	511	42.5	348	503	115
	333	HD7513*	81.7	25.9	103.8	33	3457	1099	62.1	526	859	115
100 Ton 890 kN	167	HD10006*	104.4	48.6	132.7	61.8	2216	1032	62.9	357	524	130
	257	HD10010*	104.4	48.6	132.7	61.8	3413	1591	76.7	449	706	130
	333	HD10013*	104.4	48.6	132.7	61.8	4419	2058	87.8	524	857	130
	461	HD10018*	104.4	48.6	132.7	61.8	6117	2849	112.6	687	1148	130

\* Are equipped with carrying handles.

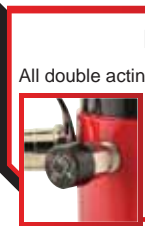


**HD Series**



**Safety Practices**

Good industry practice recommends not exceeding 80% of maximum rated capacities of all our products.



**Relief Valve**

All double acting cylinders are equipped with a pressure relief valve located next to the retract port. These pressure relief valves help prevent cylinder over pressurization on the return port side of the cylinder.



**High-Flow Couplers**

High-Flow Coupler: CH38F is included on all models (except where specified).

Model Number	Outside Dia. D (mm)	Plunger Dia. E (mm)	Saddle Dia. F (mm)	Base to Inlet Port G (mm)	Top to Return Port H (mm)	Plunger Internal Thread J	Plunger Thread Length K (mm)	Collar Thread L	Collar Thread Length M (mm)	Base Mounting Hole		
										Bolt Circle X (mm)	Thread Y	Thread Depth Z (mm)
HD1010	73	35	35	36	53	1"-8UNC	25	2¼"-14UN	26	33	5/16"-18UNC	15
HD1012	73	35	35	36	53	1"-8UNC	25	2¼"-14UN	26	33	5/16"-18UNC	15
HD3008	101	54	50	42	74	1½"-16UN	25	3⅝"-12UN	49	56	½"-13UNC	18
HD3014	101	54	50	42	74	1½"-16UN	25	3⅝"-12UN	49	56	½"-13UNC	18
HD5506*	127	80	70	29	73	1"-12UNF	25	5"-12UN	44	94	½"-13UNC	18
HD5513*	127	80	70	29	73	1"-12UNF	25	5"-12UN	44	94	½"-13UNC	18
HD5520*	127	80	70	29	73	1"-12UNF	25	5"-12UN	44	94	½"-13UNC	18
HD7506*	146	95	70	30	71	1"-12UNF	38	5¾"-12UN	38	102	¾"-10UNC	23
HD7513*	146	95	70	30	71	1"-12UNF	38	5¾"-12UN	38	102	¾"-10UNC	23
HD10006*	177	95	75	31	75	1¼"-12UN	35	6⅞"-12N	50	139	¾"-10UNC	25
HD10010*	177	95	75	31	75	1¼"-12UN	38	6⅞"-12N	51	140	¾"-10UNC	25
HD10013*	177	95	75	31	75	1¼"-12UN	35	6⅞"-12UN	50	139	¾"-10UNC	25
HD10018*	177	95	75	38	75	1¼"-12UN	35	6⅞"-12UN	50	139	¾"-10UNC	25

\* Are equipped with carrying handles.



# High Tonnage Double Acting Cylinders

HDG Series - Heavy Lifting



## Capacity:

100 - 1000 Tons

## Stroke:

50 - 300 mm

## Max. Operating Pressure:

700 BAR

## Min. - Max. Height:

182 - 1114 mm



### Flow Control Valves

Control the speed of your cylinder by adding a flow control valve.

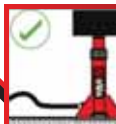
pg 62



### Related Product: Hoses

We offer a variety of hoses, fittings, lengths and materials.

pg 67



### Safety Instructions

Visit our DO'S and DON'TS section to review the best methods of operation. Always be prepared.

pg 102

- Cylinders are burnish rolled creating a smoother finish than honing
- Industrial hard chrome plated plunger prevents scratching and corrosion
- Base mounting holes standard on all models
- Plunger wiper seals out dirt and contamination
- High strength steel construction from gun drilled solid bar
- High flow 3/8" NPTF couplers
- Maximum working pressure: 10,000 psi / 700 bar
- Custom sizes are available upon request

## Gas/Diesel Engine Pumps

These HDG cylinders pair up well with a Gas or Diesel Engine pump. We offer a variety of different flow rates, motor sizes and reservoir sizes on our gas/diesel engine pumps. Contact your local BVA dealer for more details.



- Gas engine pump will provide 700 BAR hydraulic force at remote locations
- Industrial grade 5.5 hp. (4.1 kN) Honda gas engine or 4.6 hp. (3.5 kN) HATZ diesel engine.
- Ideal for applications where electricity isn't easily accessible.
- Two speed pump designed for rapid cylinder advance
- Gas pump features a sturdy protective roll cage for use in the toughest environments
- Optional electric start with Diesel Engine

## Electric Motor Pumps

These HDG cylinders pair up well with Electric Motor pumps. We offer a variety of different flow rates and motor sizes on our electric motor pumps. Contact your local BVA dealer for more details.



- Meets OSHA regulations for sound (80dBA)
- Two speed pump designed for rapid cylinder advance
- Internal filter screens contamination to prevent pump damage
- All units are wired as 240 VAC 50 Hz; Optional wiring: 115VAC 50Hz
- 100% Duty Cycle TEFC motors
- All hand pendants are wired at 24VAC for safety
- Full load starting capability



## Quick Reference Guide

Cylinder Capacity	Stroke (mm)	Model Number	Collapsed Height (mm)	Oil Capacity (cc)	Weight (kg)
100 Ton 890 kN	50	HDG10002	182	664	27.7
	100	HDG10004	232	1327	33.6
	150	HDG10006	282	1991	39.5
	200	HDG10008	332	2655	45.4
	250	HDG10010	382	3318	51.7
	300	HDG10012	432	3982	57.6
150 Ton 1334 kN	50	HDG15002	196	981	46.3
	100	HDG15004	246	1963	55.3
	150	HDG15006	296	2978	64.4
	200	HDG15008	346	3926	73.5
	250	HDG15010	396	4907	82.1
	300	HDG15012	446	5889	91.6
200 Ton 1779 kN	50	HDG20002	216	1322	54.9
	150	HDG20006	316	3989	91.2
	200	HDG20008	366	5289	109.8
	300	HDG20012	466	7977	146.1
300 Ton* 2669 kN	50	HDG30002	312	2281	184.2
	150	HDG30006	412	6843	231.8
	300	HDG30012	562	13685	303.0
400 Ton* 3559 kN	50	HDG40002	374	2800	269.9
	150	HDG40006	474	8399	330.2
	305	HDG40012	625	17077	420.9
500 Ton* 4448 kN	50	HDG50002	419	3653	401.0
	150	HDG50006	519	10959	479.9
	300	HDG50012	669	21919	599.2
600 Ton* 5338 kN	50	HDG60002	429	4277	474.0
	150	HDG60006	529	12829	565.2
	250	HDG60010	505	23088	430.0
	300	HDG60012	679	25662	700.8
800 Ton* 7117 kN	50	HDG80002	474	5881	741.2
	150	HDG80006	574	17649	868.2
	300	HDG80012	724	35281	1057.8
1000 Ton* 8896 kN	50	HDG100002	564	7329	1061.9
	150	HDG100006	664	21991	1212.9
	300	HDG100012	814	43966	1438.8

\* Available on request

See next pages (pg.34-35) to view more detailed stats on High Tonnage Double Acting Cylinders.



### HDG Series



#### Safety Practices

Good industry practice recommends not exceeding 80% of maximum rated capacities of all our products.



#### Optional Tilt-Saddles

Saddles tilt to a 5% maximum to adjust to the load. View our cylinder accessories page to figure out what saddle best fits these cylinders.

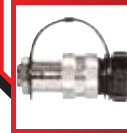
pg 41



#### Related Product: Gauges

Reduce the risk of overloading your product by using a gauge. A variety of graduations and types to suit any need.

pg 65



#### High-Flow Couplers

High-Flow Coupler: CH38F is included on all models (except where specified).



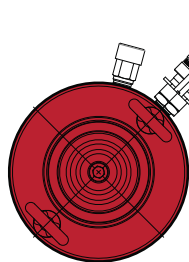
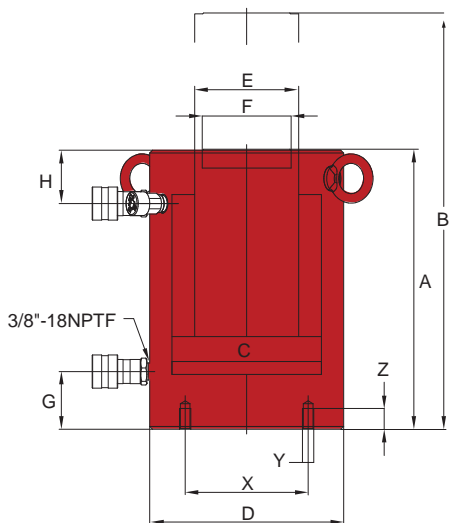
#### Relief Valve

All double acting cylinders are equipped with a pressure relief valve located next to the retract port. These pressure relief valves help prevent cylinder over pressurization on the return port side of the cylinder.

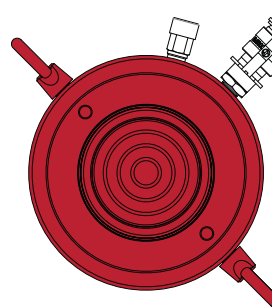


## High Tonnage Double Acting Cylinders

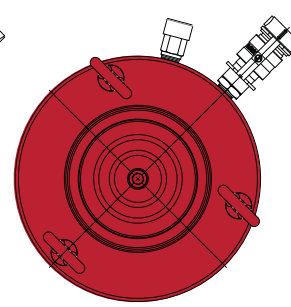
HDG Series - Heavy Lifting



HDG100



HDG150



HDG200

### Relief Valve

All double acting cylinders are equipped with a pressure relief valve located next to the retract port. These pressure relief valves help prevent cylinder over pressurization on the return port side of the cylinder.



### Optional Tilt-Saddles

Saddles tilt to a 5% maximum to adjust to the load. View our cylinder accessories page to figure out what saddle best fits these cylinders.



### Safety Instructions

Visit our DO'S and DON'TS section to review the best methods of operation. Always be prepared.



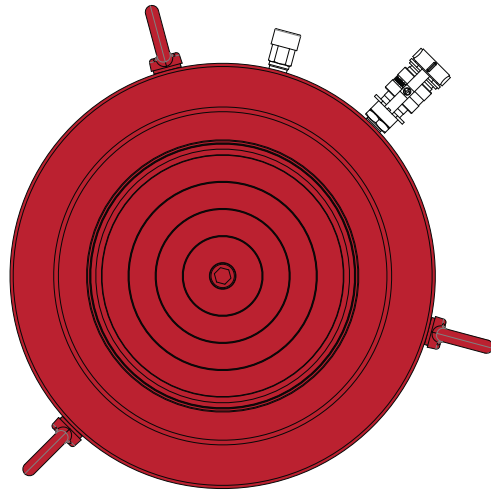
### High-Flow Couplers

High-Flow Coupler: CH38F is included on all models (except where specified).



Cylinder Capacity	Stroke (mm)	Model Number	Maximum Cylinder Capacity (ton)		Cylinder Effective Area (cm <sup>2</sup> )		Oil Capacity (cc)		Weight (kg)
			Push	Pull	Push	Pull	Push	Pull	
100 Ton 890 kN	50	HDG10002	102.9	47.9	132.7	61.9	664	309	27.7
	100	HDG10004	102.9	47.9	132.7	61.9	1327	618	33.6
	150	HDG10006	102.9	47.9	132.7	61.9	1991	928	39.5
	200	HDG10008	102.9	47.9	132.7	61.9	2655	1237	45.4
	250	HDG10010	102.9	47.9	132.7	61.9	3318	1546	51.7
	300	HDG10012	102.9	47.9	132.7	61.9	3982	1856	57.6
150 Ton 1334 kN	50	HDG15002	152.2	78.5	196.3	101.3	981	506	46.3
	100	HDG15004	152.2	78.5	196.3	101.3	1963	1013	55.3
	150	HDG15006	152.2	78.5	196.3	101.3	2978	1447	64.4
	200	HDG15008	152.2	78.5	196.3	101.3	3926	2025	73.5
	250	HDG15010	152.2	78.5	196.3	101.3	4907	2531	82.1
	300	HDG15012	152.2	78.5	196.3	101.3	5889	3038	91.6
200 Ton 1779 kN	50	HDG20002	205.0	94.0	264.5	121.3	1322	606	54.9
	150	HDG20006	205.0	94.0	264.5	121.3	3989	1905	91.2
	200	HDG20008	205.0	94.0	264.5	121.3	5289	2426	109.8
	300	HDG20012	205.0	94.0	264.5	121.3	7977	3809	146.1
300 Ton* 2669 kN	50	HDG30002	353.6	117.0	456.2	151.4	2281	757	184.2
	150	HDG30006	353.6	117.0	456.2	151.4	6843	2270	231.8
	300	HDG30012	353.6	117.0	456.2	151.4	13685	4541	303.0
400 Ton* 3559 kN	50	HDG40002	433.9	152.6	559.9	196.9	2800	967	269.9
	150	HDG40006	433.9	152.6	559.9	196.9	8399	2902	330.2
	300	HDG40012	433.9	152.6	559.9	196.9	17077	6004	420.9
500 Ton* 4448 kN	50	HDG50002	566.3	192.0	730.7	247.7	3653	1238	401.0
	150	HDG50006	566.3	192.0	730.7	247.7	10959	3713	479.9
	300	HDG50012	566.3	192.0	730.7	247.6	21919	7427	599.2
600 Ton* 5338 kN	50	HDG60002	662.9	229.0	855.3	295.4	4277	1477	474.0
	150	HDG60006	662.9	229.0	855.3	295.4	12829	4431	565.2
	250	HDG60010	670.9	352.9	865.7	455.3	23088	12142	430.0
	300	HDG60012	662.9	229.0	855.3	295.4	25662	8862	700.8
800 Ton* 7117 kN	50	HDG80002	911.6	300.0	1176	387.1	5881	1935	741.2
	150	HDG80006	911.6	300.0	1176	387.1	17649	5806	868.2
	300	HDG80012	911.6	300.0	1176	387.1	35281	11611	1057.8
1000 Ton* 8896 kN	50	HDG100002	1136.0	420.0	1465	541.8	7329	2709	1061.9
	150	HDG100006	1136.0	420.0	1465	541.8	21991	8126	1212.9
	300	HDG100012	1136.0	420.0	1465	541.8	43966	16252	1438.8

\* Available on request: no stock item



HDG300 - HDG1000



HDG Series

80%

**Safety Practices**

Good industry practice recommends not exceeding 80% of maximum rated capacities of all our products.

Model Number	Collapsed Height A (mm)	Extended Height B (mm)	Cylinder Bore Dia. C (mm)	Outside Dia. D (mm)	Plunger Dia. E (mm)	Saddle Dia. F (mm)	Base To Inlet Port G (mm)	Top To Retract Port H (mm)	Base Mounting Holes		
									Bolt Circle X (mm)	Thread Size	Thread Depth Z (mm)
HDG10002	182	232	130	89	95	75	54	48	95	M12	22
HDG10004	232	332	130	89	95	75	54	48	95	M12	22
HDG10006	282	432	130	89	95	75	54	48	95	M12	22
HDG10008	332	532	130	89	95	75	54	48	95	M12	22
HDG10010	382	632	130	89	95	75	54	48	95	M12	22
HDG10012	432	732	130	89	95	75	54	48	95	M12	22
HDG15002	196	246	158	205	110	94	61	56	130	M12	22
HDG15004	246	346	158	205	110	94	61	56	130	M12	22
HDG15006	296	446	158	205	110	94	61	56	130	M12	22
HDG15008	346	546	158	205	110	94	61	56	130	M12	22
HDG15010	396	646	158	205	110	94	61	56	130	M12	22
HDG15012	446	746	158	205	110	94	61	56	130	M12	22
HDG20002	216	266	183	235	135	113	67	56	165	M12	20
HDG20006	316	466	184	235	135	113	67	56	165	M12	20
HDG20008	366	566	183	235	135	113	67	56	165	M12	20
HDG20012	466	766	184	235	135	113	67	56	165	M12	20
HDG30002	312	362	241	310	197	177	101	75	180	M16	36
HDG30006	412	562	241	310	197	177	101	75	180	M16	36
HDG30012	562	862	241	310	197	177	101	75	180	M16	36
HDG40002	374	424	267	350	216	196	114	105	205	M16	36
HDG40006	474	625	267	350	216	196	114	105	205	M16	36
HDG40012	625	925	267	350	216	196	114	105	205	M16	36
HDG50002	419	469	305	400	248	228	114	135	250	M24	38
HDG50006	519	669	305	400	248	228	114	135	250	M24	38
HDG50012	669	969	305	400	248	228	114	135	250	M24	38
HDG60002	429	479	330	430	267	247	114	135	275	M24	38
HDG60006	529	679	330	430	267	247	114	135	275	M24	38
HDG60010	457	724	332	433	229	200	114	135	275	M24	38
HDG60012	679	979	330	430	267	247	114	135	275	M24	38
HDG80002	474	524	387	505	317	297	149	135	330	M24	38
HDG80006	574	724	387	505	317	297	149	135	330	M24	38
HDG80012	724	1024	387	505	317	297	149	135	330	M24	38
HDG100002	564	614	432	560	343	323	174	170	375	M24	38
HDG100006	664	814	432	560	343	323	174	170	375	M24	38
HDG100012	814	1114	432	560	343	323	174	170	375	M24	38



## Aluminum Double Acting Cylinders

*HDU Series - General Purpose, Lightweight*

- Lightweight aluminum alloy construction
- Up to 60% lighter than comparable tonnage steel cylinders
- Convenient carry handle
- Hard anodized aluminum plunger provides extra protection against corrosion and wear
- Steel protective plate on cylinder base
- Maximum working pressure: 700 bar



**Capacity:**

20 - 30 Tons

**Stroke:**

50 - 150 mm

**Max. Operating Pressure:**

700 BAR

**Min. - Max. Height:**

189 - 451 mm



HDU2006



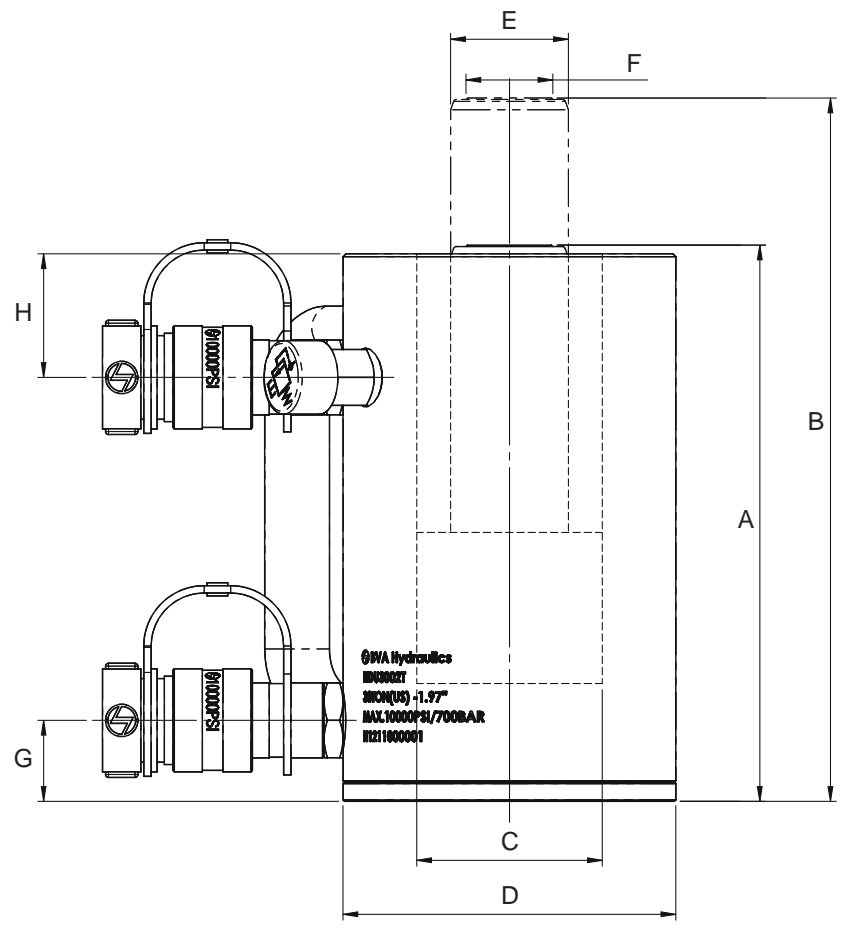
HDU3006

Cylinder Capacity	Stroke (mm)	Model Number	Maximum Cylinder Capacity (ton)		Cylinder Effective Area (cm <sup>2</sup> )		Oil Capacity (cc)		Weight (kg)
			Push	Pull	Push	Pull	Push	Pull	
20 Ton 178 kN	50	HDU2002	20	13	41.9	16.1	156	93	5.7
	100	HDU2004	20	13	41.9	16.1	312	186	6.9
	150	HDU2006	20	13	38.7	16.1	468	279	8.0
30 Ton 267 kN	50	HDU3002	30	17	66.5	17.4	221	123	7.6
	100	HDU3004	30	17	66.5	17.4	442	240	9.0
	150	HDU3006	30	17	66.5	17.4	663	368	10.4

\* The base of the cylinders contain a Steel plate with mounting holes and is designed to protect the cylinder from damage and should NOT be used in fixturing applications and ONLY be used to attach a larger base mounting plate for lifting stability. They are NOT designed to withstand the full rating of the cylinder.



**HDU Series**



**Related Product: Gauges**  
 Reduce the risk of overloading your product by using a gauge. A variety of graduations and types to suit any need. pg 65

**Safety Instructions**  
 Visit our DO'S and DON'TS section to review the best methods of operation. Always be prepared. pg 102

**Safety Practices**  
 Good industry practice recommends not exceeding 80% of maximum rated capacities of all our products.

**High-Flow Couplers**  
 High-Flow Coupler: CH38F is included on all models (except where specified).

**Relief Valve**  
 All double acting cylinders are equipped with a pressure relief valve located next to the retract port. These pressure relief valves help prevent cylinder over pressurization on the return port side of the cylinder.

Model Number	Collapsed Height A (mm)	Extended Height B (mm)	Cylinder Bore Dia. C (mm)	Outside Dia. D (mm)	Plunger Dia. E (mm)	Saddle Dia. F (mm)	Base To Inlet Port G (mm)	Top To Retract Port H (mm)
HDU2002	189	239	63	113	40	30	28	42
HDU2004	239	339	63	113	40	30	28	42
HDU2006	289	439	63	113	40	30	28	42
HDU3002	201	251	75	125	50	40	34	43
HDU3004	251	351	75	125	50	40	34	43
HDU3006	301	451	75	125	50	40	34	43

NOTE: The base of the aluminum cylinders contain a Steel plate with mounting holes and is designed to protect the cylinder from damage and should NOT be used in fixturing applications and ONLY be used to attach larger base mounting plates for lifting stability. The threads are NOT designed to withstand the full rating of the cylinder.



# Double Acting Hollow Plunger Cylinders

HDC Series



HDC3010

HDC6006



HDC10001

### Capacity:

30 - 150 Tons

### Stroke:

38 - 257 mm

### Max. Operating Pressure:

700 BAR

### Min. - Max. Height:

165 - 718 Inches



#### Related Product: Gauges

Reduce the risk of overloading your product by using a gauge. A variety of graduations and types to suit any need.

pg 65



#### Combo Kits

Most cylinders are available in easy to order kits: Cylinder, Gauge, Couplers, Hose and Pump.

pg 60



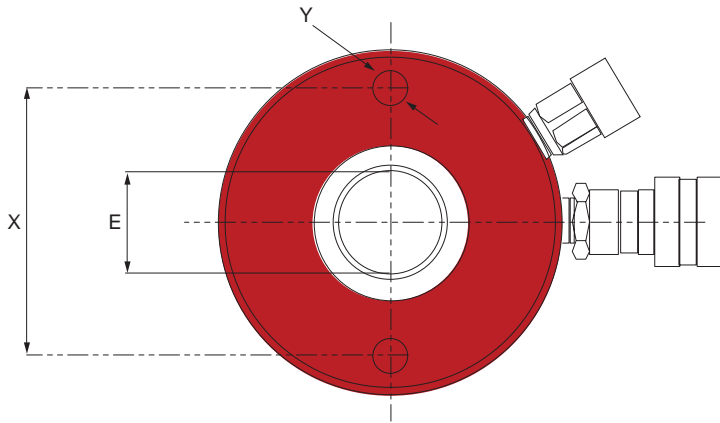
#### Related Product: Hoses

We offer a variety of hoses, fittings, lengths and materials.

pg 67

- Ideal for pushing and pulling applications.
- Dual wipers help prevent contamination
- CH38F - 3/8" high flow female coupler
- Hard chrome plunger prevents rust and corrosion
- Hardened steel seat

Cylinder Capacity		Stroke (mm)	Model Number	Oil Capacity		Collapsed Height (mm)	Extended Height (mm)	Center Hole I.D. (mm)	Plunger O.D. (mm)	Max Pressure (BAR)	Weight (kg)
Push	Pull			Push (cc)	Pull (cc)						
30 Ton 267 kN	20Ton 178 kN	178	HDC3007	492	328	331	509	33	63	700	19.5
		257	HDC3010	1051	658	432	689	33	63	700	25.7
60 Ton 534 kN	44 Ton 391 kN	89	HDC6003	750	500	248	337	54	92	700	29.8
		165	HDC6006	1390	926	324	489	54	92	700	36.8
		257	HDC6010	2165	1443	438	695	54	92	700	51.0
100 Ton 890 kN	71 Ton 632 kN	38	HDC10001	545	347	165	203	79	125	700	33.4
		76	HDC10003	1089	694	254	330	79	125	700	51.4
		152	HDC10006	2169	1388	343	495	79	125	700	69.5
		257	HDC10010	3679	2345	461	718	79	125	700	90.2
150 Ton 1334 kN	82.8 Ton 737 kN	203	HDC15008	4247	2170	349	552	100	150	700	108.5



### HDC Series



#### Safety Practices

Good industry practice recommends not exceeding 80% of maximum rated capacities of all our products.



#### Relief Valve

All double acting cylinders are equipped with a pressure relief valve located next to the retract port. These pressure relief valves help prevent cylinder over pressurization on the return port side of the cylinder.



#### High-Flow Couplers

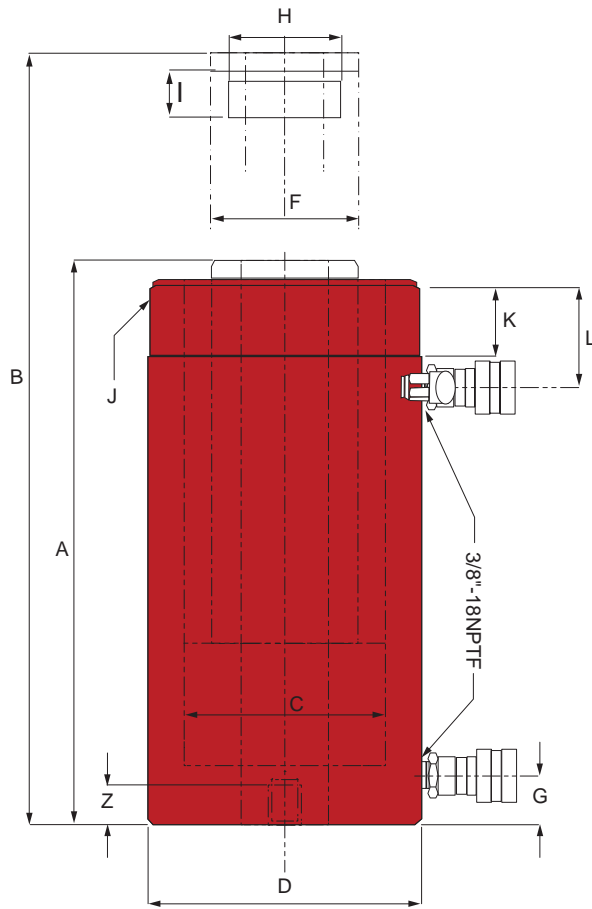
High-Flow Coupler: CH38F is included on all models (except where specified).



#### Safety Instructions

Visit our DO'S and DON'TS section to review the best methods of operation. Always be prepared.

pg.102



Model Number	Min. Height A (mm)	Max. Height B (mm)	Dia. of Center Tube C (mm)	O.D. D (mm)	I.D. E (mm)	O.D. F (mm)	Base to Inlet Port G (mm)	Top to Return Port L (mm)	Internal Thread H	Internal Thread Length I (mm)	Collar Thread		Base Mounting Hole		
											Dia. J (mm)	Length K (mm)	Bolt Circle X (mm)	Thread Y	Thread Depth Z (mm)
HDC3007	331	509	85	114	33	63	23	60	1"-16UN	24	4½"-12N	42	92	⅝"-16UNC	14
HDC3010	432	689	85	114	33	63	23	60	1"-16UN	24	4½"-12N	42	92	⅝"-16UNC	14
HDC6003	248	337	125	159	54	92	27	67	2¾"-16UN	21	6¼"-12N	49	130	½" 13UNC	14
HDC6006	324	489	125	159	54	92	27	67	2¾"-16UN	21	6¼"-12N	49	130	½" 13UNC	14
HDC6010	438	695	125	159	54	92	27	67	2¾"-16UN	21	6¼"-12N	49	130	½" 13UNC	14
HDC10001	165	203	165	213	79	125	27	44	4"-16UN	27	-	-	178	⅝" 11UNC	19
HDC10003	254	330	165	213	79	125	27	86	4"-16UN	27	8⅝"-12N	60	178	⅝" 11UNC	19
HDC10006	343	495	165	213	79	125	27	86	4"-16UN	27	8⅝"-12N	60	178	⅝" 11UNC	19
HDC10010	461	718	165	213	79	125	27	86	4"-16UN	27	8⅝"-12N	60	178	⅝" 11UNC	19
HDC15008	349	552	190	248	100	150	38	60	-	-	-	-	-	-	-



## Cylinder Lifting Handles

- Designed for easy carrying cylinders
- Provides better control when positioning cylinder
- Easy installation

Model Number	For Cylinders
LH25T34	H2504 through H2514
LH30T40	H3008, HD3008, HD3014, HC2002T, HC2006T
LH30T45	HC3002T, HC3006T, HD3007, HDC3010
LH55T49	HLN5504 through HLN5512



LH25T34

## Clevis and Tangs



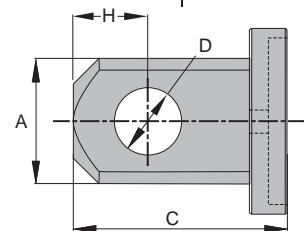
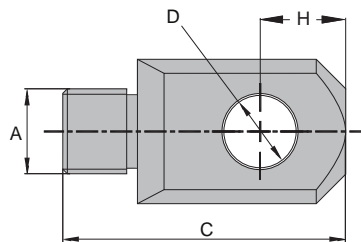
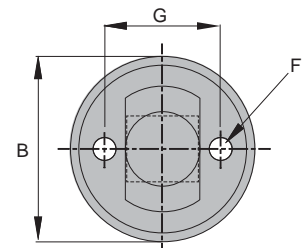
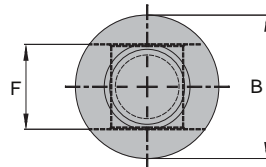
HD cylinders can be used in pushing and pulling applications. In this photo, we see a HD2506 HD cylinder set up for a pull application using a plunger clevis cylinder accessory



CEP Series



CEB Series



### Safety Practices

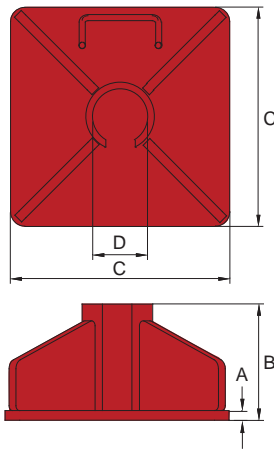
Good industry practice recommends not exceeding 80% of maximum rated capacities of all our products.

Application	Cylinder Series	Model Number	Dimensions (mm)						
			A	B	C	D	F	G	H
Plunger	H05*	CEP05	¾"-16N	29	57	16	14	-	16
	H10**, H15, HD10	CEP15	1"-8UN	43	84	22	25	-	25
	H25	CEP25	1½"-16UNC	57	97	32	38	-	32
Base	H05*	CEB05	39	44	54	16	29	25	16
	H10	CEB10	58	64	73	22	8	40	25
	H15	CEB15	70	76	73	22	10	48	25
	H25	CEB25	86	95	86	32	14	59	32

\*\*Except H1001



# Cylinder Bases



For use with Cylinder Series	Model Number	Dimensions (mm)			
		A	B	C	D
H05	CB05	8	118	200	39
H10 (except H1001)	CB10	10	120	230	58
H15	CB15	12	122	254	70
H25	CB25	16	126	280	87

**Safety Instructions**  
 Visit our DO'S and DON'TS section to review the best methods of operation. Always be prepared. pg 102

# Cylinder Saddles

Grooved, Tilt, and Threaded



SD Series



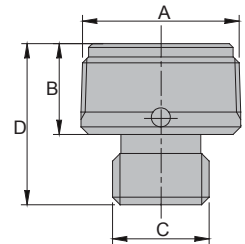
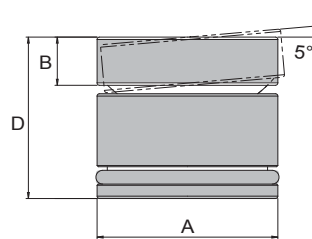
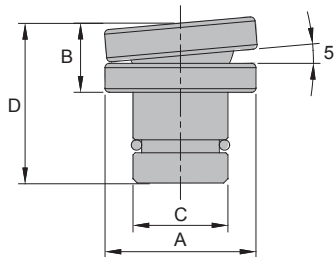
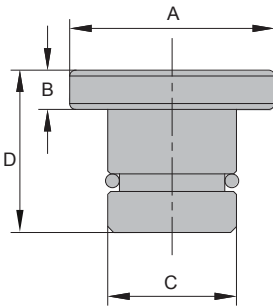
SDT Series



SDTG Series



HTD10



Saddle Type	Model Number	Capacity	For Cylinder(s)	Dimensions (mm)			
				A	B	C	D
Tilt	SDT05	5 Ton / 44 kN	H05	25	31	17	30
	SDT10	10 Ton / 89 kN	H10 (except H1001)	35	38	22	38
	SDT15	15 Ton / 133 kN	H15	38	40	22	40
	SDT25	25 Ton / 222 kN	H25	50	41	29	40
	SDT55	55-100 Ton 489-890 kN	H55, HD55, H75, HD75, H100, HLN55 and HLN100	71	33	13	33
	SDTG100	100 Ton / 890 kN	HG100 and HDG100	75	67	43	20
	SDTG150	150 Ton / 1334 kN	HG150 and HDG150	94	69	45	20
	SDTG200	200 Ton / 1779 kN	HG200 and HDG200	113	83	50	28
	SDT200	150-200 Ton 1334-1779 kN	HLN150 and HLN200	130	45	26	15
	SDT250	250 Ton 2224 kN	-	150	14	150	46
	SDT300	300 Ton 2669 kN	-	195	66	139	100
Grooved	SD05	5 Ton / 44 kN	H05*	25	21		6
	SD10	10 Ton / 89 kN	H10**	35	27		6
	SD15	15 Ton / 133 kN	H15	38	30		7
	SD25	25 Ton / 222 kN	H25	50	29		7
Threaded	HTD10	10	HT1006 and HT1010 H1002-H1014, HD1010-HD1012		24	1"- 8UNC	45



# Hand Pump Matching Chart

## Hand Pumps

- Match up the stroke length to the capacity of your cylinder to find the suggested hand pump to go with your cylinder

Stroke (mm)	Capacity							
	5 Ton 44 kN	10 Ton 89 kN	15 Ton 133 kN	25 Ton 222 kN	30 Ton 267 kN	55 Ton 489 kN	75 Ton 667 kN	100 Ton 890 kN
< 25.4	0.69	-	-	-	-	-	-	-
25.40	1.00	2.24	3.14	5.14	6.49	10.99	16.10	20.57
50.80	2.00	4.48	6.28	10.28	12.98	21.98	32.20	41.14
76.20	3.00	6.72	9.42	15.42	19.47	32.97	48.30	61.71
101.60	4.00	8.96	12.56	20.56	25.96	43.96	64.40	82.28
127.00	5.00	11.20	15.70	25.70	32.45	54.95	80.50	102.85
152.40	6.00	13.44	18.84	30.84	38.94	65.94	96.60	123.42
177.80	7.00	15.68	21.98	35.98	45.43	76.93	112.70	143.99
203.20	8.00	17.92	25.12	41.12	51.92	87.92	128.80	164.56
228.60	9.00	20.16	28.26	46.26	58.41	98.91	144.90	185.13
254.00	10.00	22.40	31.40	51.40	64.90	109.90	161.00	205.70
304.80	12.00	26.88	37.68	61.68	77.80	131.88	193.20	246.84
330.20	13.00	29.12	40.82	66.82	84.37	142.87	209.30	267.41
355.60	14.00	31.36	43.96	71.96	90.86	153.86	225.40	287.98
Suggested* Hand Pump Models	P350 P601S	P1000 P1201		P2301 P2301M		P4301		P8701 P8701M




















\*The suggested pump model is based on oil capacity requirements of the cylinder.

# Matching Chart

## Air, Electric and Gas Engine Pumps

- Match up the stroke length and capacity of the cylinder to find the suggested pump to work with your application

Stroke (mm)	Capacity							
	5 Ton 44 kN	10 Ton 89 kN	15 Ton 133 kN	25 Ton 222 kN	30 Ton 267 kN	55 Ton 489 kN	75 Ton 667 kN	100 Ton 890 kN
< 25.4	0.69	-	-	-	-	-	-	-
25.4	1.00	2.24	3.14	5.14	6.49	10.99	16.10	20.57
50.8	2.00	4.48	6.28	10.28	12.98	21.98	32.20	41.14
76.2	3.00	6.72	9.42	15.42	19.47	32.97	48.30	61.71
101.6	4.00	8.96	12.56	20.56	25.96	43.96	64.40	82.28
127	5.00	11.20	15.70	25.70	32.45	54.95	80.50	102.85
152.4	6.00	13.44	18.84	30.84	38.94	65.94	96.60	123.42
177.8	7.00	15.68	21.98	35.98	45.43	76.93	112.70	143.99
203.2	8.00	17.92	25.12	41.12	51.92	87.92	128.80	164.56
228.6	9.00	20.16	28.26	46.26	58.41	98.91	144.90	185.13
254	10.00	22.40	31.40	51.40	64.90	109.90	161.00	205.70
304.8	12.00	26.88	37.68	61.68	77.80	131.88	193.20	246.84
330.2	13.00	29.12	40.82	66.82	84.37	142.87	209.30	267.41
355.6	14.00	31.36	43.96	71.96	90.86	153.86	225.40	287.98
Suggested Air/Electric/ Gas Pump Models	PA600	PA1500 PA1500L PA1500M PA2000			PA3801 PA3801M PE30M3N01D		PE40M3N02D PE50M3N03D PG70M3N05	

Power Source	Pump Type	Page Number / Reference Image
<b>Manual</b>	Single Speed Metal Hand Pump (P-Series)	
	Two Speed Metal Hand Pumps (P-Series)	
	Two Speed Aluminum Hand Pumps (P-Series)	
	Double Acting Hand Pumps (P-Series)	
	Foot Pump (P57-Series)	
	Two Speed Aluminum All Direction Hand Pump (P-Series)	
<b>Air</b>	All-Direction Air Pump (PA-Series)	
	Air Pumps (PA-Series)	
	Double Acting Air Pump (PA-Series)	
	Remote Control Air Pump (PA-Series)	
	Rotary Air Pumps (PAR-Series)	
<b>Electric</b>	Universal Motor Pumps (PU-Series)	
	Single Phase Electric Pumps	
	PE30 0.5 HP Electric Pumps	
	PE40 1 HP Electric Pumps	
	PE50 1.5 HP Electric Pumps	
	3 Phase Electric Pumps	
<b>Gas</b>	PG70 5.5 HP Gas Engine Pump	
	PD70 4.6 HP HATZ Diesel Engine Pump	
<b>Control Valves and Accessories</b>		Page 62 ▶
<b>Pumps-Cylinder Combo's</b>		Page 60 ▶



## Hand Pumps


Aluminum and Steel




### P Series



**Combo Kits**  
Most hand pumps are available in easy to order kits; Pump, Gauge, Couplers, Hose and Cylinder pg 60




**Related Product: Gauges**  
Reduce the risk of overloading your product by using a gauge. A variety of graduations and types to suit any need. pg 65



**Safety Instructions**  
Visit our DO'S and DON'TS section to review the best methods of operation. Always be prepared. pg 102

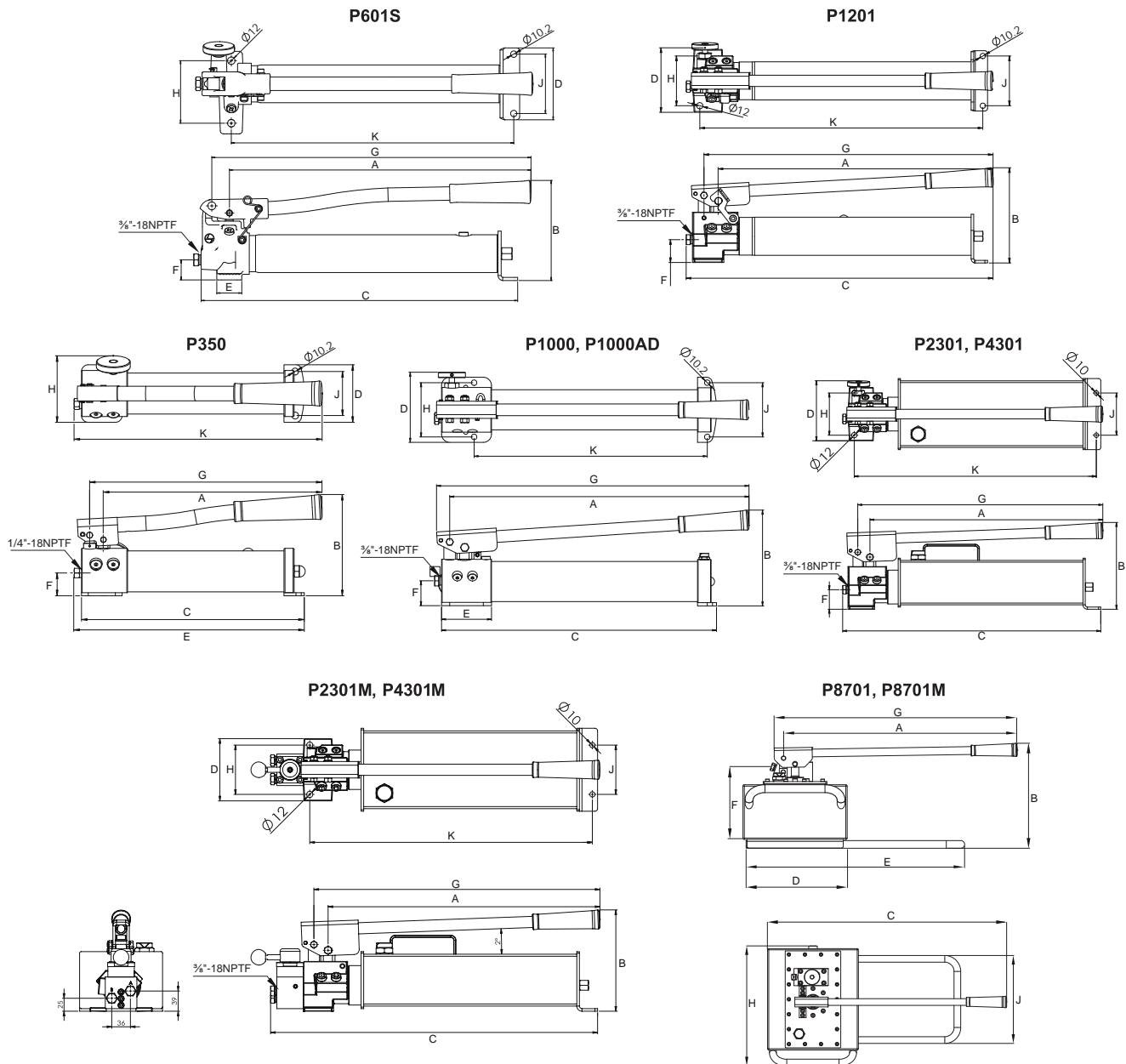
**Product Information**

- Metal reservoirs resist cracking
- Internal pressure relief valve for overload protection
- Perfect for use with cylinders and hydraulic tools or OEM applications
- Two-Speed pumps reduce user fatigue and increase productivity
- P1000AD can not only be used in the standard horizontal position, but can also be used with the outlet port facing upwards or downwards position providing more flexibility in operation



Model Number	Usable Oil Capacity (cc)	Oil Outlet Port	Pressure Rating/Oil Displacement per Stroke		Piston Stroke (mm)	Handle Operating Force (N)	Reservoir Construction
			1 <sup>st</sup> Stage (BAR/cc)	2 <sup>nd</sup> Stage (BAR/cc)			
<b>Single Speed - Single Acting</b>							
P601S	600	3/8"-18 NPTF	-	700/2.46	20	484.9	Steel
<b>2-Speed - Single Acting</b>							
P350	350	1/4"-18 NPTF	13.8/2.95	700/0.82	10	391.4	Aluminum
P1000	1000	3/8"-18 NPTF	13.8/13.27	700/2.29	21	440.4	Aluminum
P1000AD*	870-1000	3/8"-18 NPTF	13.8/13.27	700/2.29	21	440.4	Aluminum
P1201	1100	3/8"-18 NPTF	13.8/13.27	700/2.29	21	440.4	Steel
P2301	2200	3/8"-18 NPTF	13.8/13.27	700/2.29	21	440.4	Steel
P4301	4100	3/8"-18 NPTF	13.8/13.27	700/2.29	21	440.4	Steel
P8701	7800	3/8"-18 NPTF	20.01/126.34	700/4.75	43	636.1	Steel
<b>2-Speed - Double Acting</b>							
P2301M	2200	3/8"-18 NPTF	13.8/13.27	700/2.29	21	440.4	Steel
P4301M	4100	3/8"-18 NPTF	14/13.2	700/2.3	526	440.0	Steel
P8701M	7800	3/8"-18 NPTF	20.01/126.34	700/4.75	43	636.1	Steel

\* Oil capacity varies by position. Pump can be mounted outlet up or down



Model Number	Dimensions (mm)										Weight w/Oil (kg)
	A	B	C	D	E	F	G	H	J	K	
<b>Single Speed - Single Acting</b>											
P601S	482	160	506	115	40	32	511	100	95	452	5.9
<b>2-Speed - Single Acting</b>											
P350	323	150	329	85	340	34	343	98	65	366	3.0
P1000	552	175	507	120	92	32	576	100	100	430	6.2
P1000AD*	552	177	507	129	92	46	576	100	100	430	6.2
P1201	525	182	586	123	-	44	552	95	95	540	9.3
P2301	525	173	609	135	-	44	553	95	90	573	12.6
P4301	524	195	581	135	-	44	551	95	95	545	17.1
P8701	655	295	771	293	614	210	684	387	284		34.5
<b>2-Speed - Double Acting</b>											
P2301M	525	173	659	120	-	-	553	95	90	573	14.7
P4301M	524	195	630	120	-	-	552	95	95	545	19.0
P8701M	655	295	771	293	614	229	684	387	284		35.1

\* Oil capacity varies by position. Pump can be mounted outlet up or down and does not need to be horizontal



## Foot Pump

P57 Series - 10,000 PSI



P570FP



### Safety Practices

Good industry practice recommends not exceeding 80% of maximum rated capacities of all our products.



### HF Kits

Consider using our portable HF kits in conjunction with this pump.

pg 19



### Safety Instructions

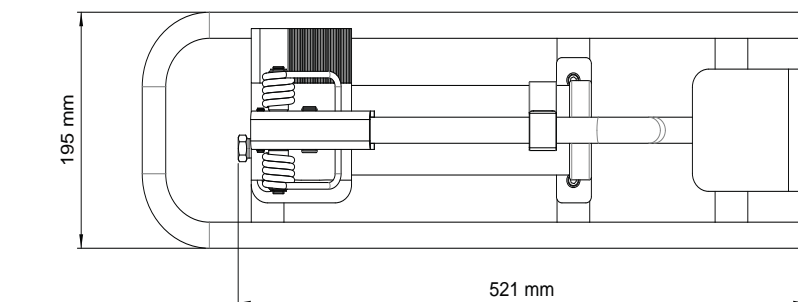
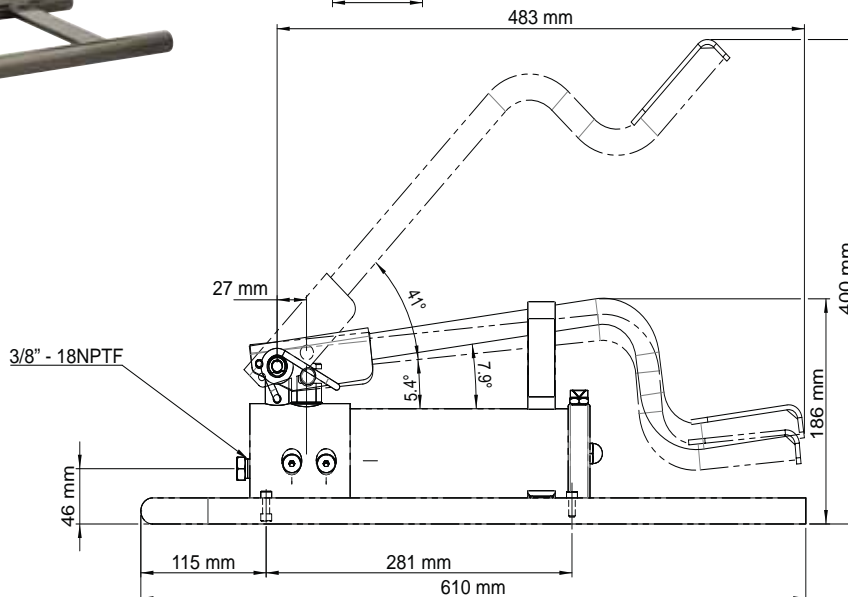
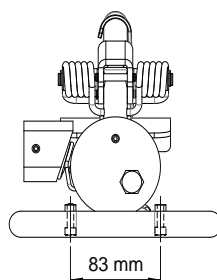
Visit our DO'S and DON'TS section to review the best methods of operation. Always be prepared.

pg 102



### High-Flow Couplers

High-Flow Coupler: CH38F is included on all models (except where specified).



### Related Product: Nut Splitters

The HNS nut splitters pair up with this portable foot pump. Our hydraulic nut splitters come in a spacious tool box so its easy to carry around from site-to-site. This tool box is large enough to hold small cylinders, saddles, spacers or whatever tool you need to bring with you to your next job site.



Model Number	Bolt Range	Hexagon Nut Range
NS1319	6-12	13-19
NS1924	12-16	19-24
NS2432	16-22	24-32
NS3241	22-27	32-41
NS4150	27-33	41-50
NS5060	33-39	50-60
NS6075	39-48	60-75

pg 92

Model Number	Usable Oil (cc)	Oil Outlet Port	Pressure Rating (BAR)		Oil Displacement per Stroke (cc)		Max. Handle Effort (kg)	Piston Stroke (mm)	Weight (kg)
			1st Stage	2nd Stage	"1st Stage"	2nd Stage			
P570FP	500	3/8"-18 NPTF	13.8	690	13	2	57.7	21	8.2

# All Position Aluminium Pumps

- Pump can work in any position
- Mounting plate allows the pump to be securely fastened.



Model Number	Usable Oil Capacity (cc)	Oil Outlet Port	Output Flow Rate		Input Air Pressure Required (BAR)	Air Consumption (L/min)	Reservoir Construction
			No Load (L/min)	Load (L/min)			
<b>Single Acting</b>							
PA600	600	3/8"-18 NPTF	1.00	0.15	7.59-12.07	220.87	Aluminum
PA600H	600	3/8"-18 NPTF	1.00	0.15	7.59-12.07	220.87	Aluminum

Model Number	Usable Oil Capacity (cc)	Oil Outlet Port	Pressure Rating/Oil Displacement per Stroke		Piston Stroke (mm)	Handle Operating Force (N)	Reservoir Construction
			1 <sup>st</sup> Stage (BAR/cc)	2 <sup>nd</sup> Stage (BAR/cc)			
<b>2-Speed - Single Acting</b>							
P1000AD*	869-1016	3/8"-18 NPTF	13.8/13.27	700/2.29	21	440.4	Aluminum

\* Oil capacity varies by position. Pump can be mounted outlet up or down

For sizes: P1000AD - Page 44  
PA600 & PA600H - Page 48





## Air Pumps

Air Actuated Power

### PA Series



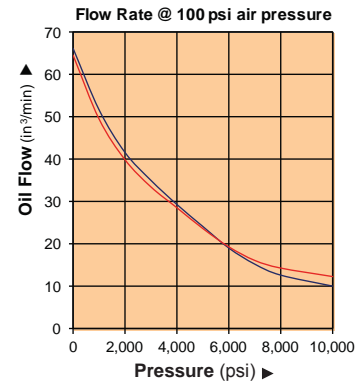
PA1500



PA600H



PA600



Air Consumption= 7.8cfm

#### Product Information

- Metal reservoirs resist cracking
- US Patent No. 5,946,912, a built in bypass device protects the hydraulic system from over pumping damage
- A compact yet powerful Air Turbo Motor US Patent No. 5,341,723
- Suggested air inlet range: 110-175 psi / 7.6-12.1 bar
- Maximum working pressure: 10,000 psi / 700 Bar



PA2000

PA3801

PA7550



PA7550M

PA3801M

PA1500M

#### PA1500A Pressure Adjustment



PA1500A Pressure can be adjusted externally from 1,000 psi / 70 Bar to 10,000 psi / 700 Bar.

Model Number	Usable Oil Capacity (cc)	Oil Outlet Port	Output Flow Rate		Input Air Pressure Required (BAR)	Air Consumption (L/min)	Reservoir Construction
			No Load (L/min)	Load (L/min)			
<b>Single Acting</b>							
PA600	600	3/8"-18 NPTF	1.00	0.15	7.59-12.07	220.87	Aluminum
PA600H	600	3/8"-18 NPTF	1.00	0.15	7.59-12.07	220.87	Aluminum
PA1500	1500	3/8"-18 NPTF	1.08	0.18	7.59-12.07	220.87	Aluminum
PA1500A*	1500	3/8"-18 NPTF	1.08	0.18	7.59-12.07	220.87	Aluminum
PA1500L**	1500	3/8"-18 NPTF	1.00	0.16	7.59-12.07	220.87	Aluminum
PA2000	2000	3/8"-18 NPTF	1.07	0.20	7.59-12.07	220.87	Aluminum
PA3801	3800	3/8"-18 NPTF	1.07	0.18	7.59-12.07	220.87	Steel
PA3801L**	3800	3/8"-18 NPTF	1.00	0.16	7.59-12.07	220.87	Steel
PA7550	7550	3/8"-18 NPTF	1.07	0.18	7.59-12.07	220.87	Steel
<b>Double Acting</b>							
PA1500M	1500	3/8"-18 NPTF	1.08	0.18	7.59-12.07	220.87	Aluminum
PA3801M	3800	3/8"-18 NPTF	1.07	0.18	7.59-12.07	220.87	Steel
PA7550M	7550	3/8"-18 NPTF	1.07	0.18	7.59-12.07	220.87	Steel

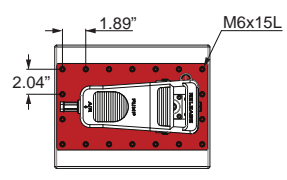
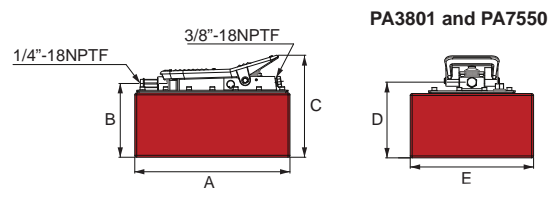
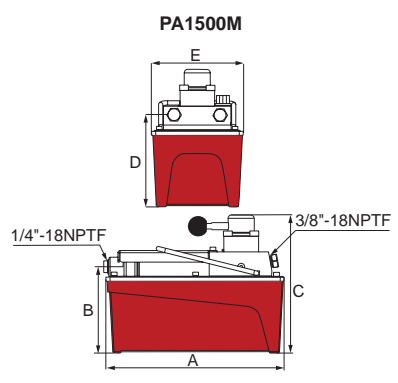
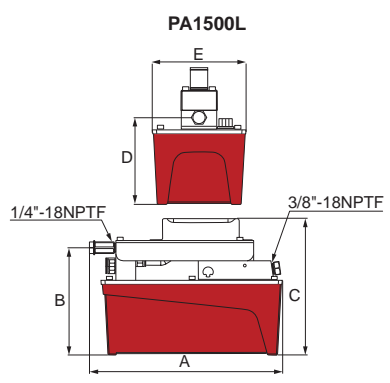
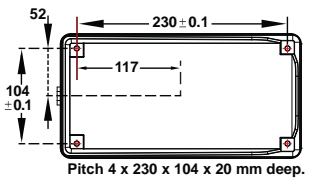
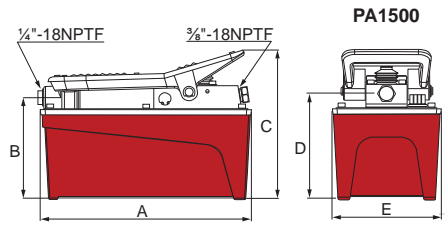
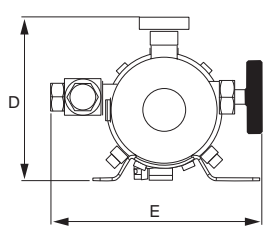
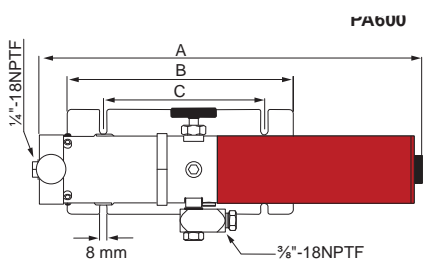
\* This unit is equipped with an external pressure adjustment (70-700 bar)

\*\*These pumps are equipped with a hand held air powered pendant





**PA Series**



**Air Pump Combo**  
 PA1500 air pumps are available in easy to order kits: pump, gauge, coupler, hose and cylinder  
 pg 60

**Related Product: Hoses**  
 We offer a variety of hoses, fittings, lengths and materials.  
 pg 67

Model Number	Base Mounting Holes	Dimensions (mm)					Weight w/Oil (kg)
		A	B	C	D	E	
<b>Single Acting</b>							
PA600	yes	426	250	178	157	142	6.4
PA600H	yes	426	250	178	114	146	5.7
PA1500	yes	263	127	185	131	136	8.2
PA1500A*	yes	263	127	185	131	136	8.2
PA1500L**	yes	278	160	204	130	136	8.8
PA2000	yes	321	163	207	132	187	9.1
PA3801	no	321	129	187	133	187	12.3
PA3801L**	no	321	163	207	132	187	13.8
PA7550	no	321	127	211	156	214	16.3
<b>Double Acting</b>							
PA1500M	yes	267	127	203	136	136	8.7
PA3801M	no	321	128	204	135	187	10.9
PA7550M	no	321	152	229	161	255	18.1

\* Unit is equipped with an external pressure adjustment (70-700 bar)  
 \*\*These pumps are equipped with a hand held air powered pendant



# Rotary Air Pumps

PAR Series - 10,000 PSI Rated

**Related Product: Gauges**  
Reduce the risk of overloading your product by using a gauge. A variety of graduations and types to suit any need. pg 65

**Related Product: Hoses**  
We offer a variety of hoses, fittings, lengths and materials. pg 67

**Will be delivered without Hydraulic Oil**

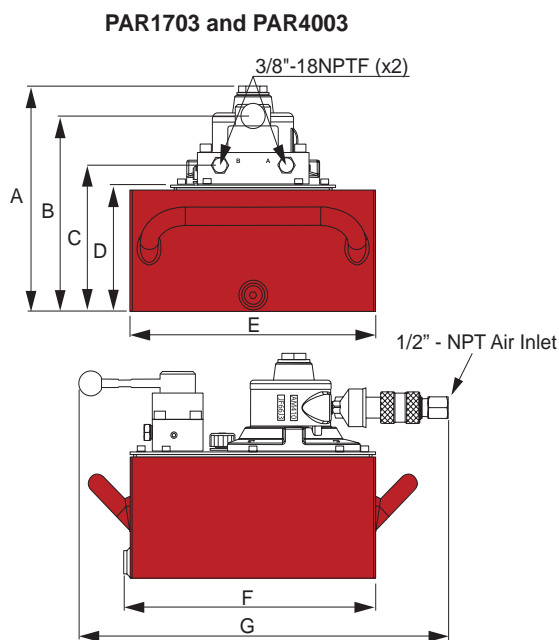
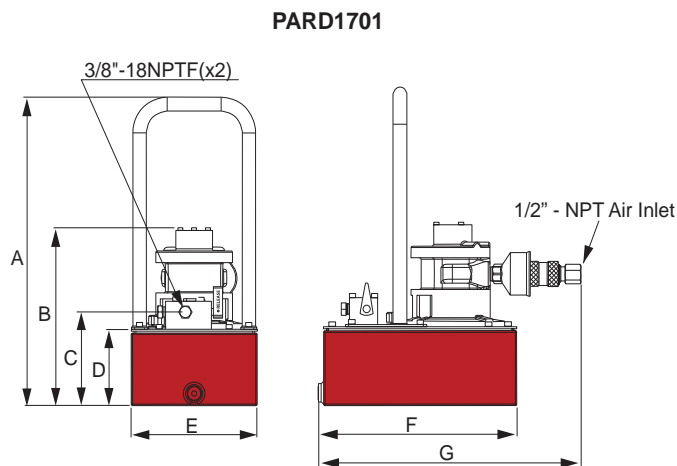


PARM4003

PARD1701

PARD1703

**PAR Series**



Used with Cylinder	Motor Size (hp)	Usable Oil Capacity (cc)	Model Number	Pressure Rating (BAR)	Pressure Rating		Oil Output Flow Rate		Valve Type	Valve Function	Air Pressure Range (BAR)
					1 <sup>st</sup> Stage (BAR)	2 <sup>nd</sup> Stage (BAR)	1 <sup>st</sup> Stage (L/min)	2 <sup>nd</sup> Stage (L/min)			
Single Acting	1.7	3800	PARD1701	700	48.30	700	5.13	0.36	Dump	Advance/Return	4.14-5.52
	1.7	11400	PARD1703	700	48.30	700	5.13	0.36	Dump	Advance/Return	4.14-5.52
	1.7	11400	PAR1703	700	48.30	700	6.83	0.36	Manual PW3	Advance/Hold/Return	4.14-5.52
	4	11400	PARD4003	700	48.30	700	7.62	1.15	Dump	Advance/Return	4.14-0.69
	4	11400	PAR4003	700	48.30	700	8.39	1.15	Manual PW3	Advance/Hold/Return	4.14-0.69
Double Acting	1.7	11400	PARM1703	700	48.30	700	6.83	0.36	Manual PW4	Advance/Hold/Return	4.14-5.52
	4	11400	PARM4003	700	48.30	700	8.39	1.15	Manual PW4	Advance/Hold/Return	4.14-0.69

Model Number	Air Consumption (L/min)	Max Sound Level (dBA)	Dimensions (mm)							Weight (kg)
			A	B	C	D	E	F	G	
PARD1701	1245.94	93	485	239	147	120	205	313	404	19.1
PARD1703	1245.94	93	-	304	212	185	305	313	456	24.5
PAR1703	1245.94	93	303	267	209	185	305	313	459	24.9
PARD4003	2690.10	100	-	344	212	185	305	313	467	29.9
PAR4003	2690.10	100	344	267	209	185	305	313	470	30.4
PARM1703	1245.94	93	303	267	209	185	305	313	459	24.9

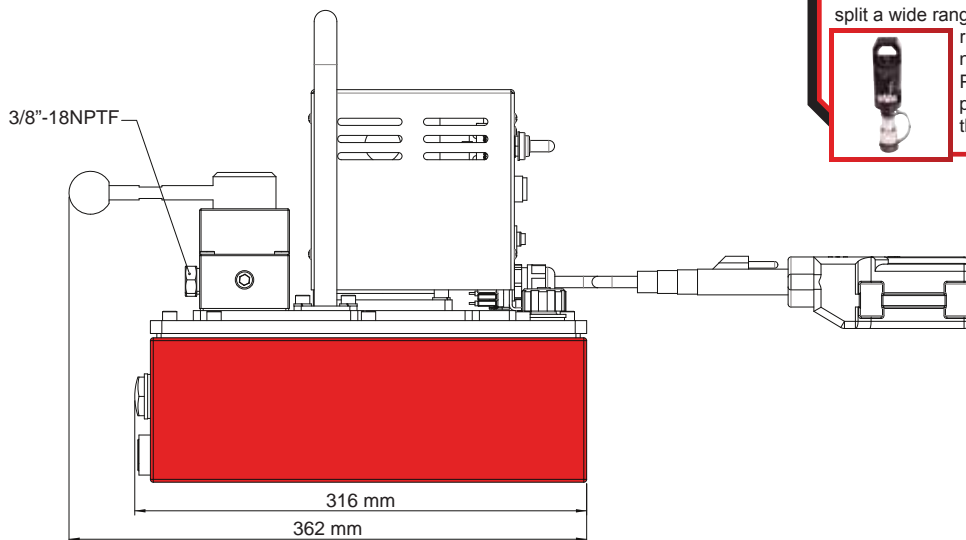
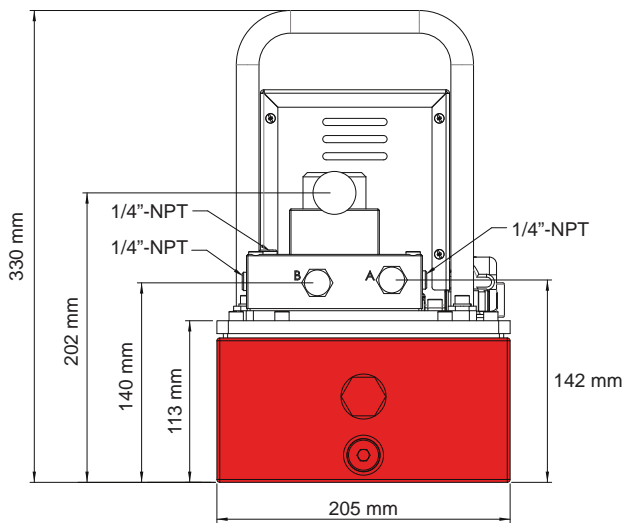
# Universal Motor Pumps

## PU Series - Light-Weight Pumps



PU20M4N01B

- Portable, light weight and compact design
- Universal Motor, starts under full load and is available in either 120VAC 50/60 HZ or 240VAC 50/60HZ
- 3mt 24 VAC pendant control for safety
- Weighs only 17 kg. with oil
- External pressure adjustment is available
- Designed for intermittent duty operation
- Gauge port on control valve



### Hydraulic Gear Pullers

5, 10, 15, 25 & 50 Ton Hydraulic Gear Pullers have a safety cage design to help keep the jaws tight to the gear and prevent slippage that can cause injury. Pair these with BVA's PU20M3N01B Lightweight e-pump for portability.



pg 88

### Flange Spreaders

BVA's Pin Type Flange Spreaders are available in both 5 & 10 Ton models and well suited for most environments. For portability and speed the PU20M4N01B would be an ideal choice.



pg 91

### Hydraulic Nut Splitters

Available in 3 models, each nut splitter can split a wide range of nut sizes thereby reducing the number of splitters needed. The BVA PU20DMP01B dump style pump functions well with these splitters



pg 92

Valve Function	Flow Rate				Motor Size	Voltage 50/60 Hz		Weight (kg)	Length (mm)	Width (mm)	Height (mm)
	1st Stage		2nd Stage			120 VAC	240 VAC				
	L/min	BAR	L/min	BAR		Model #	Model #				
3W/3P Advance/Hold Return	2.18	13.80	0.46	700	1.0 Hp	PU20M3N01B	PU20M3N01C	16.8	362	205	300
4W/3P Advance/Hold/Return	2.18	13.80	0.46	700	1.0 Hp	PU20M4N01B	PU20M4N01C	16.8	362	205	300



## Electric Pumps

PE30, PE40, PE50 Series  
- Single Phase

- Meets OSHA regulations for sound (80dBA)
- 2 Stage pumps provide fast run up before the high pressure stage
- Suction strainers screen out contamination to prevent pump damage
- All units are wired as 240 VAC 50 Hz
- All hand pendants are wired 24 VAC for safety
- Starts under full load



PE40M4N02D



PEW03 Optional

Use with Cylinder Type	Flow Rate				Motor Size
	1 <sup>st</sup> Stage		2 <sup>nd</sup> Stage		
	L/min	BAR	L/min	BAR	

Manual Valve								
	3W/3P Advance /Hold Return		4.80	24.15	0.30	700	0.5 Hp	
			5.10	48.30	0.61	700	1.0 Hp	
			7.80	48.30	1.00	700	1.5 Hp	
				6.3	48	1.22	700	3 Hp
	4W/3P Advance /Hold/Return		4.80	24.15	0.30	700	0.5 Hp	
			5.10	48.30	0.61	700	1.0 Hp	
7.80			48.30	1.00	700	1.5 Hp		
					6.3	48	1.22	700
Manual Valve w/10 ft. Motor Pendant								
	3W/3P Advance /Hold Return		4.80	24.15	0.30	700	0.5 Hp	
			5.10	48.30	0.61	700	1.0 Hp	
			7.80	48.30	1.00	700	1.5 Hp	
				6.3	48	1.22	700	3 Hp
	4W/3P Advance /Hold/Return		4.80	24.15	0.30	700	0.5 Hp	
			5.10	48.30	0.61	700	1.0 Hp	
7.80			48.30	1.00	700	1.5 Hp		
					6.3	48	1.22	700
Solenoid Valve w/10 ft. Pendant & Locking Plate								
	3W/3P Advance /Hold Return		4.80	24.15	0.30	700	0.5 Hp	
			5.10	48.30	0.61	700	1.0 Hp	
			7.80	48.30	1.00	700	1.5 Hp	
				6.3	48	1.22	700	3 Hp
	4W/3P Advance /Hold/Return		4.80	24.15	0.30	700	0.5 Hp	
			5.10	48.30	0.61	700	1.0 Hp	
7.80			48.30	1.00	700	1.5 Hp		
					6.3	48	1.22	700



**PE Series**

**80%**

**Safety Practices**  
 Good industry practice recommends not exceeding 80% of maximum rated capacities of all our products.

Usable Oil Capacity						
1 Gal	2 Gal	3 Gal	5 Gal	10 Gal	15 Gal	25 Gal
Model Number	Model Number	Model Number	Model Number	Model Number	Model Number	Model Number
<b>Manual Valve</b>						
PE30M3N01D	PE30M3N02D	PE30M3N03D	-	-	-	-
-	PE40M3N02D	PE40M3N03D	PE40M3N05D	PE40M3N10D	PE40M3N15D	PE40M3N25D
-	-	PE50M3N03D	PE50M3N05D	PE50M3N10D	PE50M3N15D	PE50M3N25D
PE30M4N01D	PE30M4N02D	PE30M4N03D	-	-	-	-
-	PE40M4N02D	PE40M4N03D	PE40M4N05D	PE40M4N10D	PE40M4N15D	PE40M4N25D
-	-	PE50M4N03D	PE50M4N05D	PE50M4N10D	PE50M4N15D	PE50M4N25D
<b>Manual Valve w/10 ft. Motor Pendant</b>						
PE30W3N01D	PE30W3N02D	PE30W3N03D	-	-	-	-
-	PE40W3N02D	PE40W3N03D	PE40W3N05D	PE40W3N10D	PE40W3N15D	PE40W3N25D
-	-	PE50W3N03D	PE50W3N05D	PE50W3N10D	PE50W3N15D	PE50W3N25D
PE30W4N01D	PE30W4N02D	PE30W4N03D	-	-	-	-
-	PE40W4N02D	PE40W4N03D	PE40W4N05D	PE40W4N10D	PE40W4N15D	PE40W4N25D
-	-	PE50W4N03D	PE50W4N05D	PE50W4N10D	PE50W4N15D	PE50W4N25D
<b>Solenoid Valve w/10 ft. Pendant</b>						
PE30S3N01D	PE30S3N02D	PE30S3N03D	-	-	-	-
-	PE40S3N02D	PE40S3N03D	PE40S3N05D	PE40S3N10D	PE40S3N15D	PE40S3N25D
-	-	PE50S3N03D	PE50S3N05D	PE50S3N10D	PE50S3N15D	PE50S3N25D
PE30S4N01D	PE30S4N02D	PE30S4N03D	-	-	-	-
-	PE40S4N02D	PE40S4N03D	PE40S4N05D	PE40S4N10D	PE40S4N15D	PE40S4N25D
-	-	PE50S4N03D	PE50S4N05D	PE50S4N10D	PE50S4N15D	PE50S4N25D



## Electric Pumps

Electric Power Source

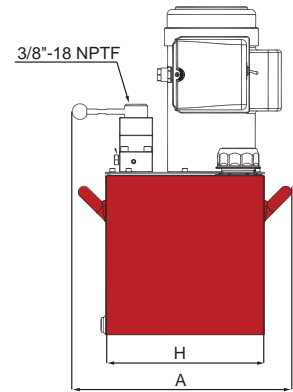
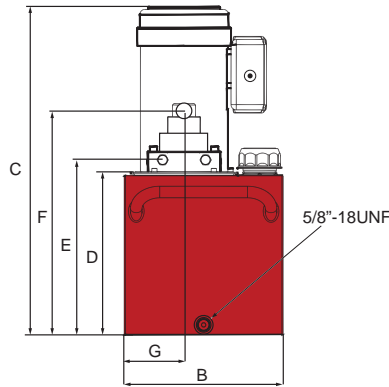


PE30M4N01D



PE60M4N15D

### PE30 Series



**Pump Accessories**  
See the assortment of accessories designed to work with these pumps. *pg 62*

**80% Safety Practices**  
Good industry practice recommends not exceeding 80% of maximum rated capacities of all our products.

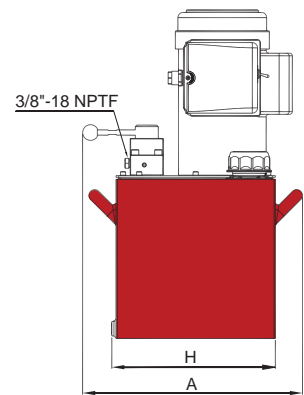
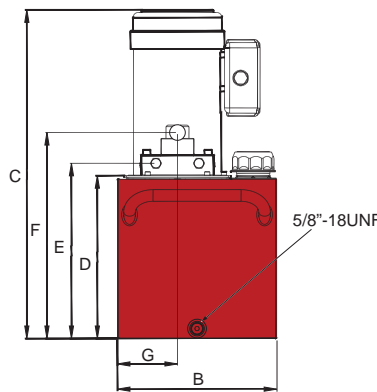
**Safety Instructions**  
Visit our DO'S and DON'TS section to review the best methods of operation. Always be prepared. *pg 102*

**Pressure Settings**  
Custom pressure settings available upon request. Contact your local BVA dealer.

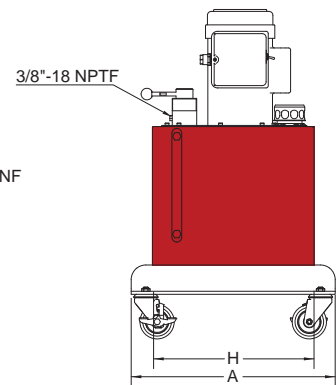
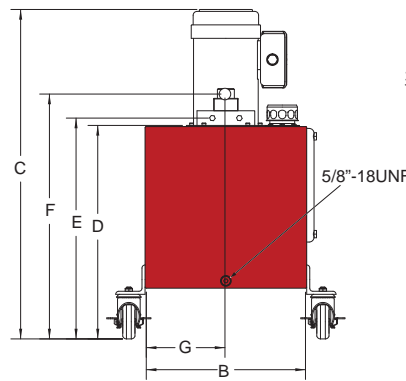
**Reservoir Sizing**  
Recommended reservoir sizing is Extended Cylinder + Hose Volume Oil Capacity x 1.3

**Will be delivered without Hydraulic Oil**

### PE40/PE50/PE60 Series



### PE40/PE50 Series With Casters



Reservoir Size (L)	Dimensional Table (mm)								Pump Weight by Series* (kg)			
	A	B	C	D	E	F	G	H	PE30	PE40	PE50	PE60
3.8	323	262	485	119	145	305	206	315	27.7	-	-	-
7.6	424	305	455	152	175	335	114	315	34.0	32.7	-	-
11.4	424	305	500	183	208	267	114	315	38.1	36.7	41.3	-
18.9	424	305	630	312	335	394	114	315	-	46.3	50.8	47.3
37.9	531	419	800	483	505	566	211	419	-	83.5	88.0	-
56.8	531	419	879	561	587	645	211	419	-	115.7	120.2	76
94.6	650	541	879	561	587	645	269	541	-	164.2	168.7	-

\* Pump weights include oil.

## Single Phase Pump Matrix Chart

If you don't see a pump that would fit your application needs, you can custom build a pump to your desired specifications. Use this Pump Matrix Chart as a guide for creating your very own custom built Electric Pump. For assistance in building your pump, call your local BVA Representative.

**P** **E** **30** **S4L** **02** **A**

**1** **2** **3** **4** **5** **6**  
 Product Motor Flow Valve Reservoir Voltage  
 Type Type Group /Operation Size

### 1 - Product Type

**P** Pump

### 2 - Motor Type

**E** Induction Electric Motor, TEFC

### 3 - Flow Group

**30** 4.2/0.22 L/min @ 25/700 BAR, ½ Hp (0.37 kN)  
**40** 4.2/0.46 L/min @ 48/700 BAR, 1 Hp (0.75 kN)  
**50** 5.1/0.69 L/min @ 48/700 BAR, 1.5 Hp (1.12 kN)  
**60** 6.3/1.22 L/min @ 48/700 BAR, 3 Hp (2.24 kN)

### 4 - Valve Type/Operation

**CMR** Pump Mounted Manifold Block - Pressure & Return Ports Only

**M2N** Manual Valve 3W/2P  
**M3N** Manual Valve 3W/3P  
**M4N** Manual Valve 4W/3P  
**M3L** Manual Valve 3W/3P w/Locking Plate  
**M4L** Manual Valve 4W/3P w/Locking Plate

**W2N** Manual Valve 3W/2P w/10ft Motor Control Pendant  
**W3N** Manual Valve 3W/3P w/10ft Motor Control Pendant  
**W4N** Manual Valve 4W/3P w/10ft Motor Control Pendant  
**W3L** Manual Valve 3W/3P w/Locking Plate and 10ft Motor Control Pendant  
**W4L** Manual Valve 4W/3P w/Locking Plate and 10ft Motor Control Pendant

**S3N** Solenoid Valve 3W/3P (Spool Type)  
**S4N** Solenoid Valve 4W/3P (Spool Type)  
**S3L** Solenoid Valve 3W/3P w/Locking Plate (Spool Type Valve)  
**S4L** Solenoid Valve 4W/3P w/Locking Plate (Spool Type Valve)

### 5 - Reservoir Size

**01** 1 Gallon / 3.8 L  
**02** 2 Gallons / 7.6 L  
**03** 3 Gallons / 11.4 L  
**05** 5 Gallons / 19.4 L  
**10** 10 Gallons / 38 L  
**15** 15 Gallons / 56 L  
**25** 25 Gallons / 95 L

### 6 - Voltage

**A** 120V 1 ph 50 Hz  
**D** 230V 1 ph 50 Hz - European Plug



PE Series

### Ordering Example

**PE30M4N01D**

After reviewing this model number, we know that the pump has the following specifications:

- Electric power source
- ½ Hp (0.37 kN) flow group
- Manual Valve 4W/3P
- 1 gallon/3.8 L reservoir tank



PE30M4N01D



### Related Product: Gauges

Reduce the risk of overloading your product by using a gauge. A variety of graduations and types to suit any need.

pg 65



### Related Product: Footpedals

These can be used with all pumps equipped with solenoid valves

pg 66



### Related Product: Hoses

We offer a variety of hoses, fittings, lengths and materials.

pg 67



### Safety Instructions

Visit our DO'S and DON'TS section to review the best methods of operation. Always be prepared.

pg 102



Will be delivered without Hydraulic Oil

Not all options are available in all configurations. Table is for reference only. Please consult your local BVA dealer if you want to order a custom pump or if you have questions.



# 3-Phase Electric Pumps

## Electric Power Source



PE60M4N06W

- All hand pendants are wired with 24 VAC
- Quiet operation meets OSHA regulations (80dBA)
- 2 speed operation allows for faster cylinder advance
- Full load starting capacities
- Internal suction strainer keeps contamination from damaging pump
- Rugged durable design meets the demands of industrial applications
- Precision components to minimize wear and improve overall dependability
- Reservoirs equipped with sight level gauges
- PE60 Models are standard as 380 VAC 50 Hz

## 3-Phase Pump Matrix Chart

If you don't see a pump that would fit your application needs, you can custom build a pump to your desired specifications. Use this Pump Matrix Chart as a guide for creating your very own custom built Electric Pump. For assistance in building your pump, call your local BVA Representative.

**P | E | 60 | M4N | 06 | W**

<b>1</b>	<b>2</b>	<b>3</b>	<b>4</b>	<b>5</b>	<b>6</b>
Product Type	Motor Type	Flow Group	Valve Type /Operation	Reservoir Size	Voltage

### 1 - Product Type

P Pump

### 2 - Motor Type

E Induction Electric Motor, TEFC

### 3 - Flow Group

60 6300 cc/min @ 48 BAR  
1330 cc/min @ 700 BAR, 3.0 Hp

### 4 - Valve Type/Operation

M3N Manual Valve 3W/3P  
M4N Manual Valve 4W/3P  
W3N Manual Valve 3W/3P w. 10 ft Motor Control Pendant  
W4N Manual Valve 4W/3P w. 10 ft Motor Control Pendant

### 5 - Reservoir Size

06 6 Gallons

### 6 - Voltage

W 380-415V 3 ph 50 Hz



### Safety Instructions

Visit our DO'S and DON'TS section to review the best methods of operation. Always be prepared.



### Pressure Settings

Custom pressure settings available upon request. Contact your local BVA dealer.



### Safety Practices

Good industry practice recommends not exceeding 80% of maximum rated capacities of all our products.



Will be delivered without Hydraulic Oil



### Pump Accessories

See the assortment of accessories designed to work with these pumps.

pg 62



### Related Product: Gauges

Reduce the risk of overloading your product by using a gauge. A variety of graduations and types to suit any need.

pg 65

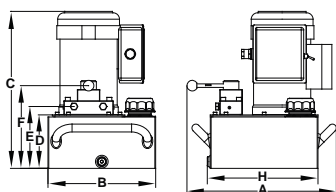


### Related Product: Hoses

We offer a variety of hoses, fittings, lengths and materials.

pg 67

Model Number	Valve Type	Valve Function	Motor Voltage (volts)	Sound Level (dBA)	Motor Size (kW)	Usable Oil Capacity (L)	Pressure Rating (BAR)		Oil Output Flow Rate (L)		Current Draw (Amp)
							1 <sup>st</sup> Stage	2 <sup>nd</sup> Stage	1 <sup>st</sup> Stage	2 <sup>nd</sup> Stage	
<b>380 Volt</b>											
PE60M4N06W	Manual	4-Way 3-Position	380	80	2.24	22.7	48	700	6.3	1.33	4.5



Model Number	Dimensions (mm)							Weight (kg)
	A	B	C	D	E	F	H	
<b>380 Volt</b>								
PE60M4N06W	524	376	583	224	247	307	436	62



# Gas and Diesel Pumps

PG/PD Series - Portable Power



PG70M4N05




PD70M4N05




**Will be delivered without Hydraulic Oil**




**Safety Practices**  
Good industry practice recommends not exceeding 80% of maximum rated capacities of all our products.



**Related Product: Gauges**  
Reduce the risk of overloading your product by using a gauge. A variety of graduations and types to suit any need. pg 65



**Related Product: Hoses**  
We offer a variety of hoses, fittings, lengths and materials. pg 67




**Safety Instructions**  
Visit our DO'S and DON'TS section to review the best methods of operation. Always be prepared. pg 102

**Gas Pumps**

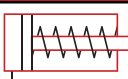



- Gas engine pumps will provide 10,000 psi at remote locations
- Industrial grade 5.5 Honda Gas Engine
- Ideal for applications at remote locations
- Two speed pump designed for rapid cylinder advance
- Gas pump features a sturdy protective roll cage for use in the toughest environments
- Manual control valve for use with single or double acting cylinders or tools

**Diesel Pumps**



- Diesel engine pumps will provide 10,000 psi at remote locations
- Industrial grade 4.6 hp / 3.5 kN HATZ Diesel engine
- Locking solenoid control valve for use with single or double acting cylinders or tools
- Two speed pump designed for rapid cylinder advance
- Pump features a sturdy protective roll cage for use in the toughest environments
- Ideal for application when diesel fuel in remote environments is required
  - Optional: electric start

Valve Function	Valve Type	Use with Cylinder Type	Flow Rate			
			1 <sup>st</sup> Stage		2 <sup>nd</sup> Stage	
			L/min	BAR	L/min	BAR
3W/3P Advance/Hold Return	Manual		7.0	48.3	1.6	700
	Solenoid (only for Diesel)		9.8	48.3	3.3	700
4W/3P Advance/Hold Return	Manual		7.0	48.3	1.6	700
	Solenoid (only for Diesel)		9.8	48.3	3.3	700



## Gas/Diesel Pump Matrix Chart

If you don't see a pump that would fit your application needs, you can custom build a pump to your desired specifications. Use this Pump Matrix Chart as a guide for creating your very own custom gas/diesel pump. For assistance in building your pump, call your local BVA Representative.

**P** **D** **70** **S4L** **05**

**1** **2** **3** **4\*** **5**  
Product Motor Flow Valve Type Reservoir  
Type Type Group /Operation Size

### 1 - Product Type

**P** Pump

### 2 - Motor Type

**G** Gas Motor  
**D** Diesel Motor

### 3 - Flow Group

**70** 7000 cc/min @ 48 BAR  
1640 cc/min @ 700 BAR

### 4\* - Valve Type/Operation

**CMR** Pump Mounted Manifold Block - Pressure & Return Ports Only

**M2N** Manual Valve 3W/2P  
**M3N** Manual Valve 3W/3P  
**M4N** Manual Valve 4W/3P  
**M3L** Manual Valve 3W/3P w/Locking Plate  
**M4L** Manual Valve 4W/3P w/Locking Plate

**S3N** Solenoid Valve 3W/3P (Spool Type)  
**S4N** Solenoid Valve 4W/3P (Spool Type)  
**S3L** Solenoid Valve 3W/3P w/Locking Plate (Spool Type Valve)  
**S4L** Solenoid Valve 4W/3P w/Locking Plate (Spool Type Valve)

### 5 - Reservoir Size

**05** 5 Gallons  
**10** 10 Gallons  
**15** 15 Gallons

\* Solenoid options are not available on the PG70 Series Gas Pumps

*Not all options are available in all configurations. Table is for reference only. Please consult your local BVA dealer if you want to order a custom pump or if you have questions.*



PG/PD Series

### Ordering Example

**PG70M4N05**

After reviewing this model number, we know that the pump has the following specifications:

- Gasoline power source
- Manual Valve 4W/3P
- 5 gallon reservoir tank



### Roll Cages



All gas and diesel pumps are equipped with roll cages to prevent any damage that might occur on a job site.

### Optional Electric Start



Electric start is optional and available with the diesel engine.



**Will be delivered without Hydraulic Oil**

Motor HP / Type	Usable Oil Capacity		
	5 Gallons	10 Gallons	15 Gallons
	Model Number	Model Number	Model Number
Gas - 5.5 Hp Honda	PG70M3N05	-	-
Diesel - 7.3 Hp HATZ	PD70S3L05	PD70S3L10	PD70S3L15
Gas - 5.5 Hp Honda	PG70M4N05	-	-
Diesel - 7.3 Hp HATZ	PD70S4L05	PD70S4L10	PD70S4L15

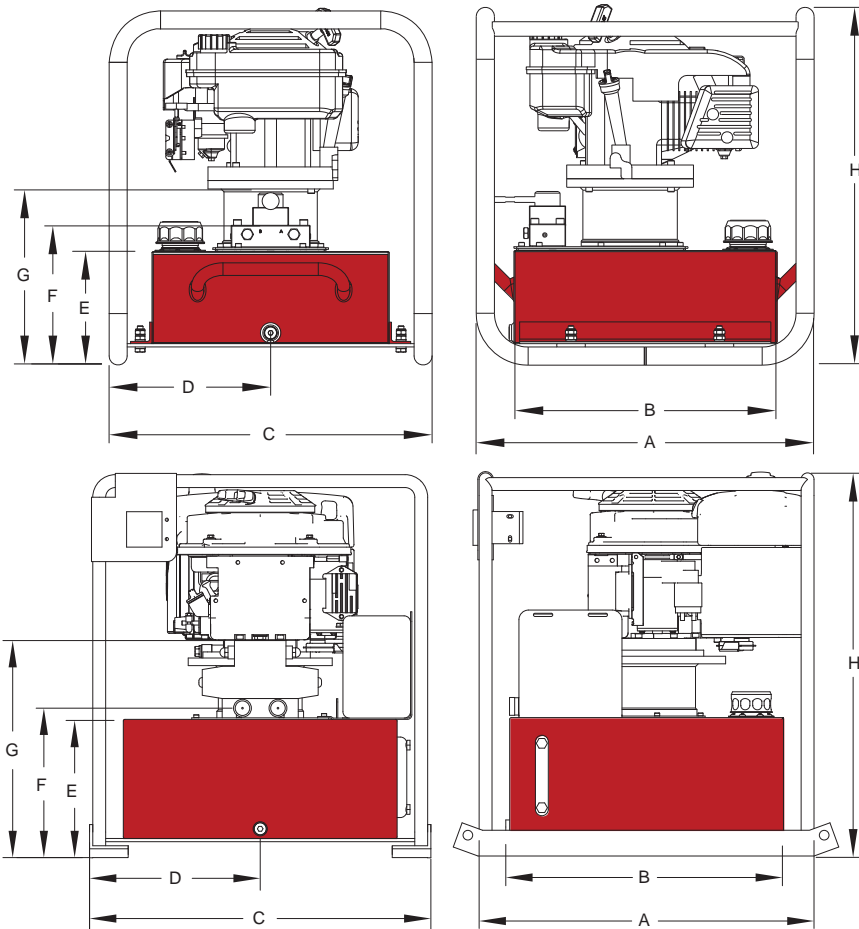
# Gas and Diesel Pumps

PG/PD Series



PG70M3N05

PD70M4N05



### Safety Practices

Good industry practice recommends not exceeding 80% of maximum rated capacities of all our products.



### Related Product: Gauges

Reduce the risk of overloading your product by using a gauge. A variety of graduations and types to suit any need. pg 65



### Related Product: Hoses

We offer a variety of hoses, fittings, lengths and materials. pg 67



### Safety Instructions

Visit our DO'S and DON'TS section to review the best methods of operation. Always be prepared. pg 102

Model Number*	Dimensions (mm)								Weight** (Kg)
	A	B	C	D	E	F	G	H	
<b>Gas Pumps</b>									
PG70xxx05	675	546	532	266	292	316	393	627	73.5
PG70xxx10	718	594	686	343	305	328	441	627	137.4
PG70xxx15	718	594	686	343	305	328	441	627	168.7
<b>Diesel Pumps</b>									
PD70xxx05	675	546	532	266	292	316	393	828	115.7
PD70xxx10	718	594	686	343	305	328	441	828	149.2
PD70xxx15	718	660	686	343	305	328	441	828	182.8

\* "xxx" in the model number refers to the type of valve you may use on the gas/diesel engine pump. Refer to your local BVA dealer or the Matrix Chart (on page 61) to build your own pump.  
 \*\* Pump weights include oil.



# Combinations

## Pump and Cylinder Sets

Each set includes:

- 1/4" ID 2 meter Hydraulic Hose
- 3/8" High Flow Male Coupler
- Adapter (SP3 Models Only)
- 63 mm Diameter Wet Gauge



Single Acting Cylinder Type	Cylinder				Hand Pump P350	Hand Pump P1000	Hand Pump P2301	Air Pump PA1500
	Capacity	Model Number	Stroke (mm)	Collapsed Height (mm)				
General Purpose Cylinders 	5 Ton 44 kN	H0505	129	221	SP3-0505	-	-	-
	10 Ton 89 kN	H1002	51	123	-	SP10-1002	-	SA15-1002
		H1004	102	174	-	SP10-1004	-	SA15-1004
		H1006	151	250	-	SP10-1006	-	SA15-1006
		HT1006	151	291	-	SP10-1006T	-	SA15-1006T
		H1010	253	352	-	SP10-1010	-	SA15-1010
		HT1010	253	393	-	SP10-1010T	-	SA15-1010T
	15 Ton 133 kN	H1504	101	200	-	SP10-1504	-	SA15-1504
		H1506	152	270	-	SP10-1506	-	SA15-1506
	25 Ton 222 kN	H2502	51	168	-	SP10-2502	-	SA15-2502
		H2504	102	219	-	SP10-2504	-	SA15-2504
		H2506	155	272	-	SP10-2506	-	SA15-2506
		H2508	206	323	-	-	-	SP23-2508
	55 Ton 489 kN	H2514	362	476	-	-	-	SP23-2514
H5506		159	283	-	-	-	SP23-5506	SA15-5506
100 Ton 890 kN	H10002	51	219	-	-	SP23-10002	-	
Flat Body Cylinders 	5 Ton 44 kN	HF0503*	6	32	SP3-0503F	-	-	-
		HF0503B *	6	32	SP3-0503B	-	-	-
	10 Ton 89 kN	HF1005	11	43	SP3-1005F	-	-	-
		HF1005B	11	43	SP3-1005B	-	-	-
	20 Ton 178 kN	HF2005	11	51	SP3-2005F	-	-	-
		HF2005B	11	51	SP3-2005B	-	-	-
	30 Ton 267 kN	HF3005	13	59	SP3-3005F	-	-	-
		HF3005B	13	59	SP3-3005B	-	-	-
	50 Ton 445 kN	HF5006	16	67	SP3-5006F	-	-	-
		HF5006B	16	67	SP3-5006B	-	-	-
75 Ton 667 kN	HF7506	16	80	SP3-7506F	-	-	-	
100 Ton 890 kN	HF10006	16	86	SP3-10006F	-	-	-	
150 Ton 1334 kN	HF15006	16	100	-	SP10-15006F	-	-	

\* HF0503 is fitted with CR38M coupler



We see here our combo kit SA15-3002L getting set up to lift a load. This combo kit includes a HL3002 cylinder, PA1500 air pump, CS3814 hose/CH38M coupler set, CF3814 gauge adapter and a GBW1416 pressure gauge.

## Combinations

### Pump and Cylinder Sets



Single Acting Cylinder Type	Cylinder				Hand Pump P350	Hand Pump P1000	Hand Pump P2301	Air Pump PA1500
	Capacity	Model	Stroke (mm)	Collapsed Height (mm)				
Hollow Hole Cylinders 	12 Ton 107 kN	HC1201T	8	60	SP3-1201T	-	-	-
		HC1202	41	120	SP3-1202T	-	-	-
		HC1202XT	41	120	SP3-1202XT	-	-	-
		HC1203XT	76	184	-	SP10-1203XT	-	-
	20 Ton 178 kN	HC2002T	51	162	-	SP10-2002T	-	SA15-2002T
	30 Ton 267 kN	HC3002T	64	179	-	SP10-3002T	-	-
		HC3006T	155	331	-	SP10-3006T	-	SA15-3006T
	60 Ton 534 kN	HC6003T	76	248	-	SP10-6003T	-	SA15-6003T
HC6006T		152	324	-	-	SP23-6006T	SA15-6006T	
100 Ton 890 kN	HC10003T	76	254	-	-	SP23-10003T	SA15-10003T	
Low Profile Cylinders 	10 Ton 89 kN	HL1001	38	88	SP3-1001L	SP10-1001L	-	SA15-1001L
	20 Ton 178 kN	HL2002	44	99	SP3-2002L	SP10-2002L	-	SA15-2002L
	30 Ton 267 kN	HL3002	62	117	SP3-3002L	SP10-3002L	-	SA15-3002L
	50 Ton 445 kN	HL5002	60	122	-	SP10-5002L	-	SA15-5002L
	100 Ton 890 kN	HL10002	57	141	-	SP10-10002L	SP23-10002L	SA15-10002L
Lock Nut Cylinders 	55 Ton 489 kN	HLN5502	50	165	-	-	SP23-5502LN	SA15-5502LN
		HLN5504	100	213	-	-	SP23-5504LN	SA15-5504LN
		HLN5506	150	264	-	-	SP23-5506LN	SA15-5506LN
Aluminum Cylinders 	30 Ton 267 kN	HU3002	51	165	SP3-3002U	-	-	SA15-3002U
		HU3006	152	267	-	SP10-3006U	-	SA15-3006U
	50 Ton 445 kN	HU5506	152	267	-	-	SP23-5006U	SA15-5006U

\* HF0503 is fitted with CR38M coupler

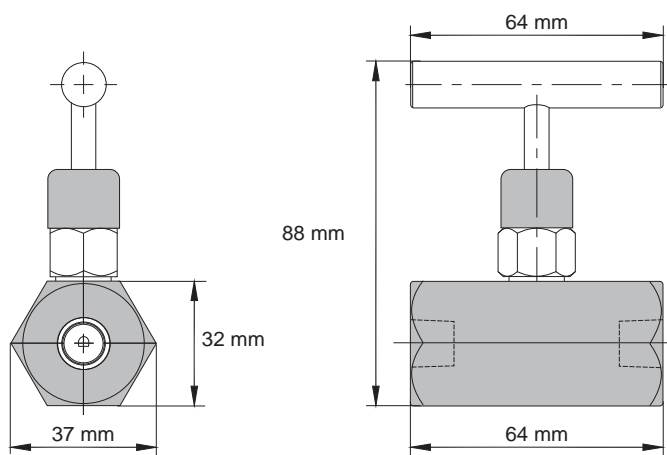


# Flow Control Valves

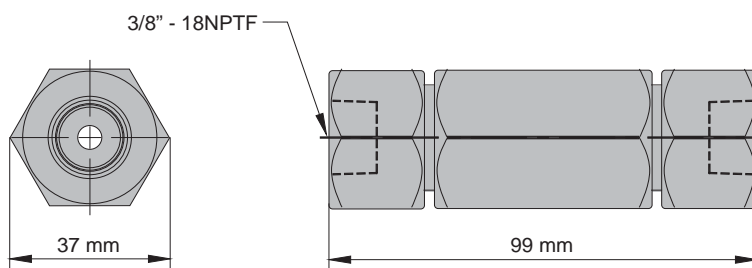
700 BAR Rated



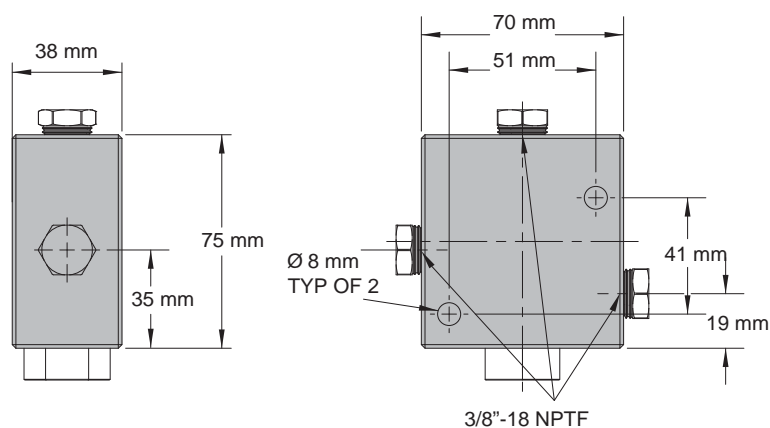
CVN1 and CVN3



CVC3



CVP3



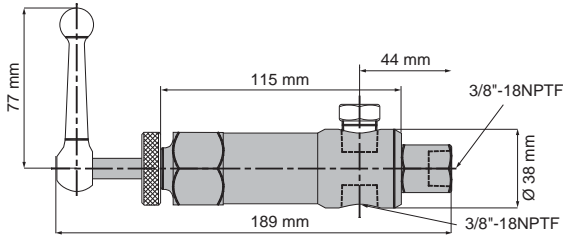
Valve Type	Model Number	Ports	Applications	Hydraulic Symbol
Needle Valve	CVN1	¼"-18NPTF	Controls cylinder speed and acts as temporary shut-off valve for load holding.	
	CVN3	⅜"-18NPTF		
Check Valve	CVC3	⅜"-18NPTF	Allows flow in one direction only.	
Pilot Operated Check Valve	CVP3	⅜"-18NPTF	Mounted in line with a cylinder which will hold pressure in the event of pressure loss in the system. Most often used on double-acting cylinders with pilot port, receiving pressure from a tee off of the cylinder retracting line. Pilot pressure ratio 15% or 6.5:1	

# Flow Control Valves

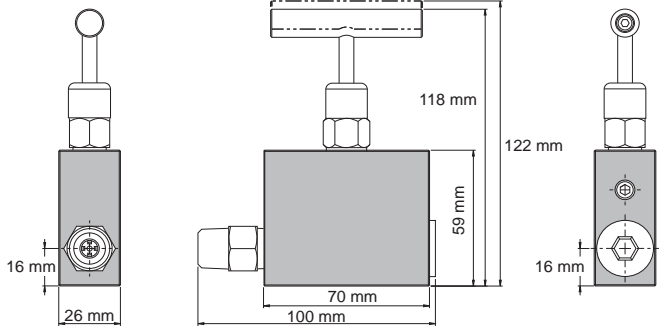
700 BAR Rated



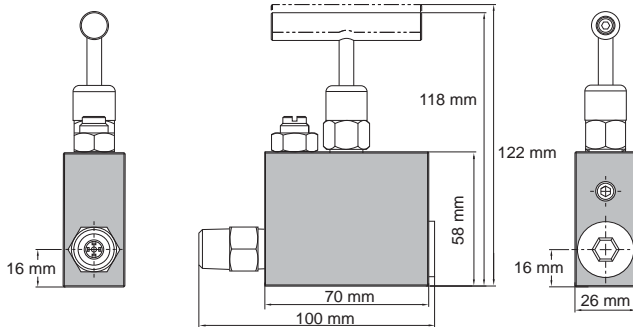
CVR3



CVL3



CVLS3



Valve Type	Model Number	Ports	Applications	Hydraulic Symbol
Pressure Relief Valve	CVR3	3/8"-18NPTF	Controls pressure developed by the pump in hydraulic loop. By-pass occurs when preset pressure reaches 0-10,000 PSI. Turn clockwise to increase pressure, counter-clockwise to decrease.	
	CVR3/H	3/8"-18NPTF	Same as CVR3, but return line hose / 1 meter length is included.	
Manual Operated Check Valve	CVL3	3/8"-18NPTF	Mounted in line with a cylinder and will hold pressure in the cylinder in the event of pressure loss in the system. Pressure is manually released.	
	CVLS3	3/8"-18NPTF	Mounted in line with a cylinder and will hold pressure in the cylinder in the event of pressure loss in the system. This model is equipped with high-pressure bypass. Pressure is manually released.	

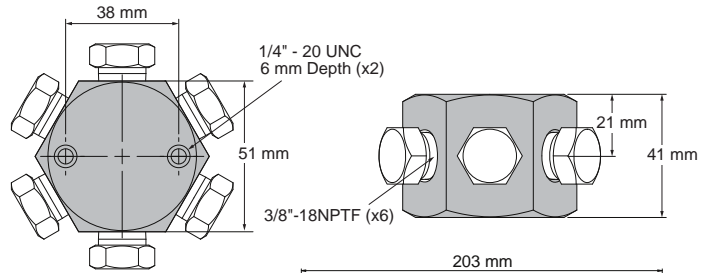


# Manifolds

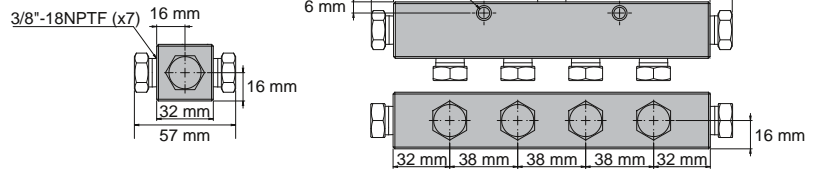
700 BAR Rated



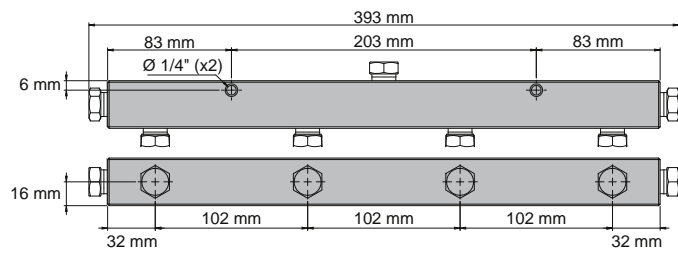
CMH6



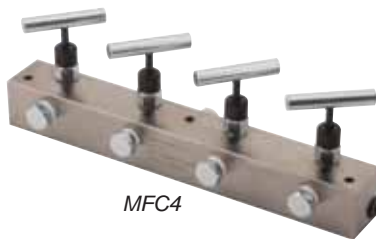
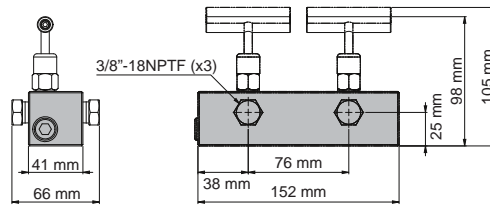
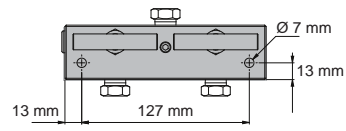
CM7



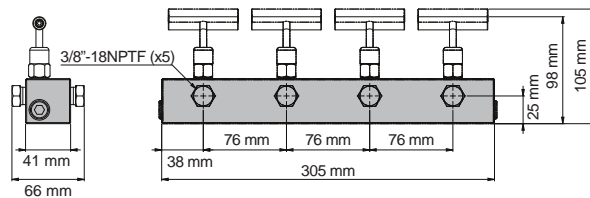
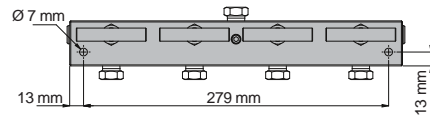
CM14



MFC2



MFC4



Manifold Type	Model Number	Number of Ports	Port Size	Mounting Holes
6-Port Hexagon Manifold	CMH6	6	3/8"-18NPTF	1/4"-20UNC
7" Long Manifold	CM7	7	3/8"-18NPTF	1/4"-20UNC
14" Long Manifold	CM14	7	3/8"-18NPTF	1/4"-20UNC
Manifold with Two Needle Valves	MFC2	2	3/8"-18NPTF	0.28" Dia.
Manifold with Four Needle Valves	MFC4	4	3/8"-18NPTF	0.28" Dia.



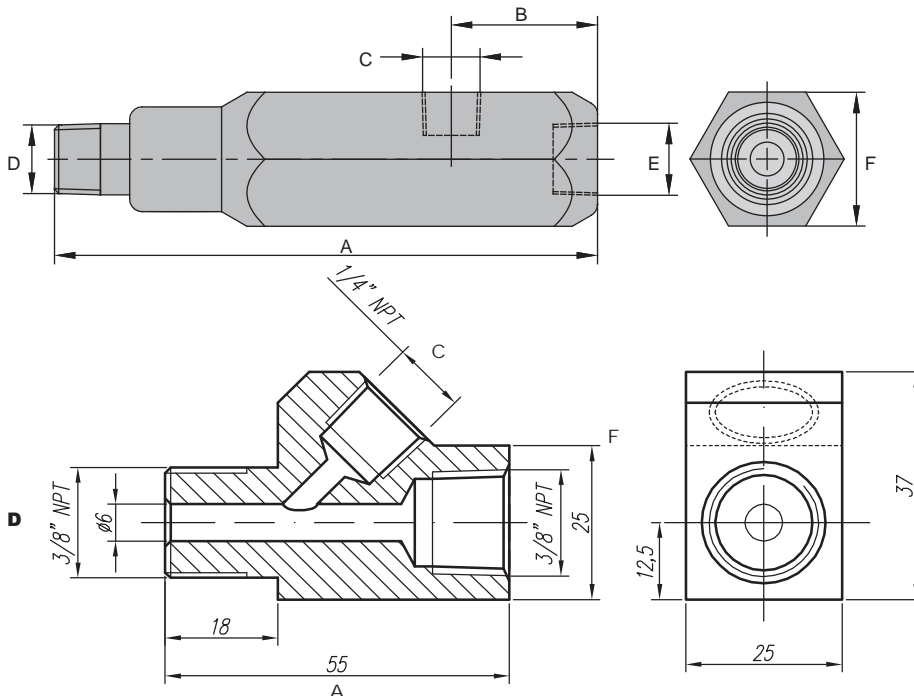
# Hydraulic Pressure Gauge



Model Number	Face Dia. (mm)	Thread (in)	Material	Pressure Range		Graduation			
				(psi)	(bar)	Major Graduation (psi)	Minor Graduation (psi)	Major Graduation (bar)	Minor Graduation (bar)
GBW1460	63	1/4"-18 NPTF	Stainless	0-15000	0-1000	1000	500	100	20
GBW14100	105	1/4"-18 NPTF	Brass	0-15000	0-1000	1000	500	100	20
GSW1460	63	1/4"-18 NPTF	Brass	0-10000	0-700	1000	500	100	20
GD1480	80	1/4"-18 NPTF	Stainless	0-10000	0-700	-	-	-	-

## Gauge Adapter

700 BAR Rated



Model Number	Dimensions (mm)					
	A	B	C	D	E	F
CF3814	130	35	1/4"-18NPTF	3/8"-18NPTF	3/8"-18NPTF	32
CF3814-F*	130	35	1/4"-18NPTF	3/8"-18NPTF	3/8"-18NPTF	32
CF3814-45	55	-	1/4"-18NPT	3/8"-18NPT	3/8"-18NPT	25

\*CF3814-F = CF3814 with internal oil-filter





## Hydraulic Oil

- Recommended for all BVA cylinders and pumps

Volume (L)	Model Number	Viscosity Index	Viscosity @ 40°C (mm <sup>2</sup> /S)	Viscosity @ 100°C (mm <sup>2</sup> /S)	Viscosity Grade, ISO	Flash Point (°C)	Pour Point (°C)
5	HV155	159	15	3.89	15	160	-57
5	HV685	152	68	11	68	230	-42



HV155



HV685

## External Pressure Adjustment

*Sandwich Mounted*

Model Number	Pressure Adj. Range (BAR)	Interval (BAR)	Suitable Model
PW-AS1	70	3.5	PE Series, 3.8 L. Reservoir
PW-AS2	~		PE Series, 7.6 L (+). Reservoir
PW-AS3	700		PU20 Series Pump



PW-AS1

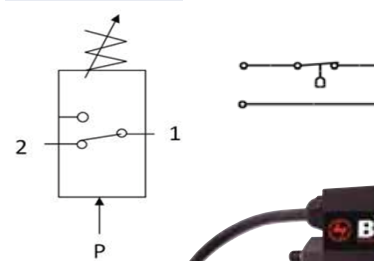
- Pressure can be adjusted externally (70-700 bar)
- Works with single and double acting cylinders

## Pressure Switch

**CVS1**

- Automatically shuts off electric pump when predetermined system pressure is reached

Model Number	Adjustable Pressure Range	Electrical Rating	Port Size	Weight (kg)
CVS1	69-700.35 BAR	15 amp @ 250V max	¼"-18NPTF	0.6



CVS1

## Foot Pedals

*Single or Double*

- Hands free pump operation
- Can be used with all pumps equipped with solenoid valves

*Foot controls with 3 meter cord. This option replaces the hand controls on solenoid equipped models.*



FP2

FP1



CDC38

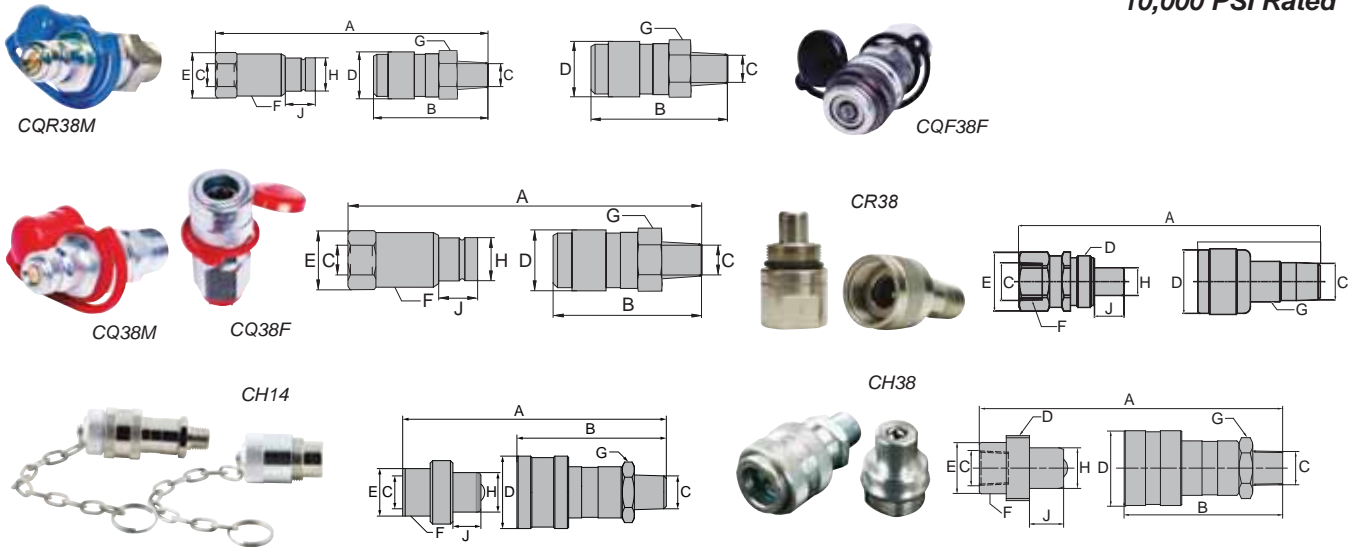
## Coupler Dust Cover

- Keeps contaminants out of the system

Model Number	Coupler Compatibility
CDC38	CH38, CH38F, CH38M

# Hydraulic Couplers

10,000 PSI Rated



Max Flow Capacity (l/min)	Coupler Type	Model Numbers			Dimensions (mm)								
		Complete Set	Male Half	Female Half	A*	B	C	D	E	F	G	H	J
35	High-Flow Coupler	CH38	CH38M	CH38F	85	72.1	3/8"-18NPTF	28	-	25.4	19	16	16
10	Regular-Flow Coupler	CR38	CR38M	CR38F	90	56	3/8"-18NPTF	26	-	18.5	12.7	13.5	13.5
8	High-Flow Coupler	CH14	CH14M	CH14F	71.9	59.7	1/4"-18NPTF	22	-	21	15.7	10.4	-
6	Quick Connection	CQ38	CQ38M	CQ38F	104.2	-	3/8"-18NPTF	28.1	24	-	22	44.9	20
6	Hose Rupture Nipple	-	CQR38M	-	106.7	64.7	3/8"-18NPTF	-	-	-	22	14.9	20
5.3	Flat Face Coupler	-	-	CQF38F	116	71	3/8"-18NPTF	30	24	-	-	-	-

\* Value A is total length when male and female couplers are connected.

## Hydraulic Hoses

Hose Exceeds DIN 20022-1 & SAE 100R9 Specifications

- Rubber Bend Restrictors.
- High Working Pressure.
- Optimum Flexibility.
- Light Weight.
- Temperature Range: from -40°C up to +100 °C.



Model Number	Length (cm)	I.D. Ø	Hose End Fittings	Operating Pressure (BAR)	Bursting Pressure (BAR)	Ben Radius (mm)	oil Volume (cc)	Weight (kg)
CS3814-1	100	6.35mm / 1/4"	3/8" - 18NPTF	700	2800	50	34	0.5
CS3814-2	200	6.35mm / 1/4"	3/8" - 18NPTF	700	2800	50	67	0.8
CS3814-3	300	6.35mm / 1/4"	3/8" - 18NPTF	700	2800	50	100	1.1
CS3814-4	400	6.35mm / 1/4"	3/8" - 18NPTF	700	2800	50	133	1.3
CS3814-6	600	6.35mm / 1/4"	3/8" - 18NPTF	700	2800	50	200	1.9
CS3814-10	1000	6.35mm / 1/4"	3/8" - 18NPTF	700	2800	50	332	3
CS3838-2	200	9.5mm / 3/8"	3/8" - 18NPTF	700	2800	150	158	0.8

\* Available in other lengths on request



## Solenoid Valves

### Pump Mounted

- Pump mounted solenoid kits convert your manual pump to an electrically controlled pump.



Use With Cylinder	Model Number	Valve Type	Valve Function	Hydraulic Symbol	Schematic Flow path			Weight (kg)
Single Acting	PWS3	Solenoid 24 VDC	Advance/ Hold/Return					3.4
	PWS3L	-	Locking Plate					4.7
Double Acting	PWS4	Solenoid 24 VDC	Advance/ Hold/Return					3.9
	PWS4L	-	Locking Plate					5.2

## Pressure Control Valve

### PPC-1/PPC-2

- Modular valve with one or two cartridges.
- Excellent pressure adjustment over the entire operating range.



Valve	Model Number	Hydraulic Symbol
Pressure Control Valve	PPC-1	
	PPC-2	
Flow Control Valve	PFC	

## Flow Control Valve

### PFC

- Throttle check valves

## Pump Mounted Manifold Block

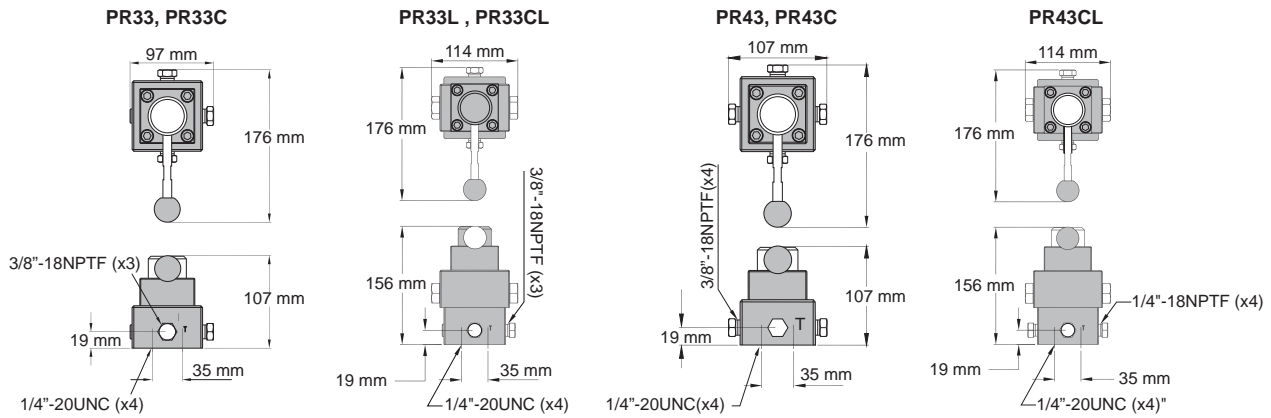
### CMR2

- Converts BVA pumps with mounted valves for use with remote mounted valves
- 4 mounting bolts



# Remote Mounted Directional Control Valves

Not to be used with Hand Pumps



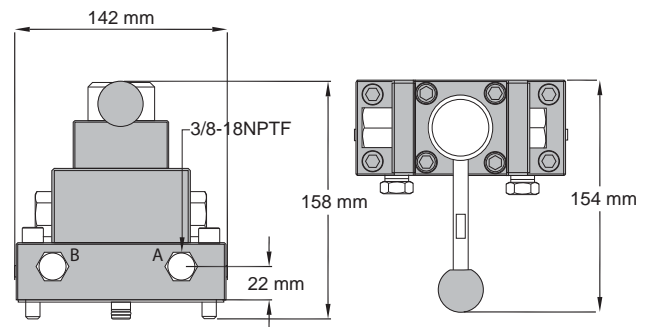
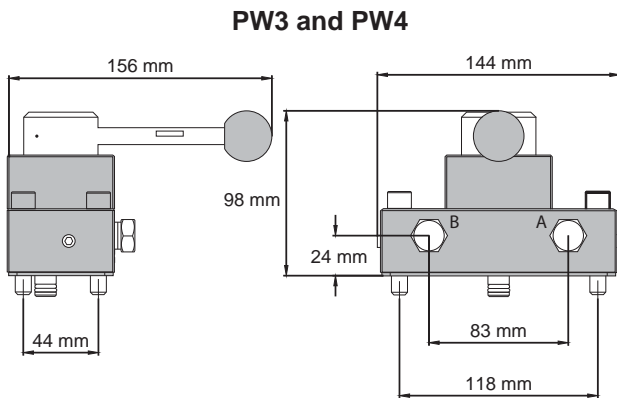
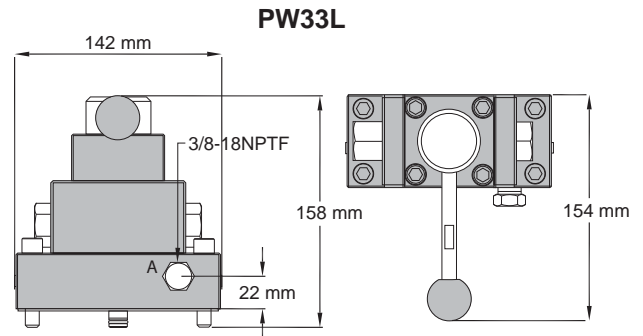
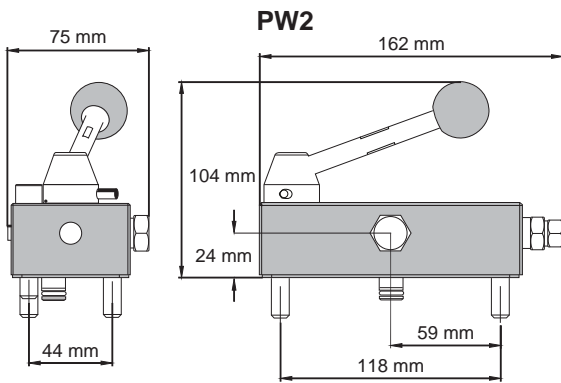
Valve Operation	Valve Type	Use w/ Cylinder	Model Number	Hydraulic Symbol	Schematic Flow path			Weight (kg)
Manual	3-Way, 3 Position, Tandem center	Single Acting	PR33					1.59
	3-Way, 3 Position, Closed center		PR33C					1.59
	3-Way, 3 Position, Tandem center, Locking		PR33L					2.59
	3-Way, 3 Position, Closed center, Locking		PR33CL					2.59
	4-Way, 3 Position, Tandem center	Double Acting	PR43					1.59
	4-Way, 3 Position, Tandem center, Locking		PR43L					2.59
	4-Way, 3 Position, Closed center		PR43C					1.59
	4-Way, 3 Position, Closed center, Locking		PR43CL					2.59

All valves have a detent in the center position.

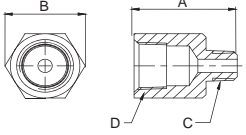

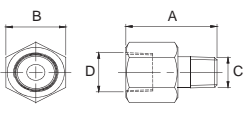

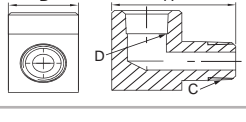

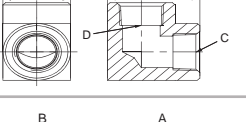


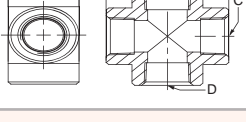


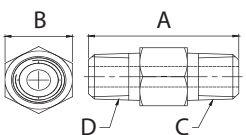


# Pump Mounted Valves










For PE, PG and PD Pumps Only













Valve Operation	Valve Type	Use w/ Cylinder	Model Number	Hydraulic Symbol	Schematic Flow path			Weight (kg)
Manual	3-Way, 2-Position	Single Acting	PW2				-	1.81
	3-way, 3-Position, Tandem center	Single Acting	PW3					1.81
	4-Way, 3-Position, Tandem center	Double Acting	PW4					1.36
	3-Way, 3-Position, Tandem center, Locking	Single Acting	PW33L					2.72
	4-Way, 3-Position, Tandem center, Locking	Double Acting	PW43L					2.72

Fitting Type	Model Number	Dimensions				Display Image	
		A (mm)	B (mm)	C	D		
<b>Adapters</b>							
	Adapter 1/2"-14NPTF - Female 3/8"-18NPTF - Male	FT108	43	29	Male 3/8"-18NPTF	Female 1/2"-14NPTF	
	Adapter 1/2"-14NPTF - Female 1/4"-18NPTF - Male	FT118	43	29	Male 1/4"-18NPTF	Female 1/2"-14NPTF	
	Fitting	CA3814	35	23	Male 1/4"-18NPTF	Female 3/8"-18NPTF	
<b>Bushings/Connectors</b>							
	Bushing	CB1438	22	17	Male 3/8"-18NPTF	Female 1/4"-18NPTF	
	2 way 45° Connector Street Elbow, 3/8" to 3/8"- NPTF	FT045	28	22	Male 3/8"-18NPTF	Female 3/8"-18NPTF	
	2 way 90° Connector Street Elbow, 3/8" to 3/8"- NPTF	FT101	28	22	Male 3/8"-18NPTF	Female 3/8"-18NPTF	
	2 way 90° Connector Elbow, 3/8" to 3/8" - NPTF	FT107	48	26	Female 3/8"-18NPTF	Female 3/8"-18NPTF	
	3 Way Connector 3/8" to 3/8" - NPTF	FT106	46	26	Female 3/8"-18NPTF	Female 3/8"-18NPTF	
	4 Way Connector Cross, 3/8" to 3/8" - NPTF	FT105	36	26	Female 3/8"-18NPTF	Female 3/8"-18NPTF	
<b>Couplings</b>							
	Coupling Reducing Connector, 3/8" to 1/4" - NPTF	FT102	30	26	Female 1/4"-18NPTF	Female 3/8"-18NPTF	
	Coupling Reducing Connector, 1/2" to 3/8" - NPTF	FT112	48	29	Female 1/2"-14NPTF	Female 3/8"-18NPTF	
	Coupling 3/8" to 3/8" - NPTF	FT103	30	26	Female 3/8"-18NPTF	Female 3/8"-18NPTF	
<b>Hex Nipples</b>							
	Male Connector Hex Nipple, 1/4" to 1/4" - NPTF	FT104	38	17	Male 1/4"-18NPTF	Male 1/4"-18NPTF	
	Male Connector Hex Nipple, 3/8" to 3/8" - NPTF	FT114	38	19	Male 3/8"-18NPTF	Male 3/8"-18NPTF	
	Male Connector Hex Nipple, 1/4" to 3/8" - NPTF	FT124	37	19	Male 1/4"-18NPTF	Male 3/8"-18NPTF	



<b>Presses</b>		<b>Page Number / Reference Image</b>
Manual / Electric Press		74-77
<b>Bottle Jacks / Pullers</b>		<b>Page Number / Reference Image</b>
Manual Bottle Jacks		78
Mini Jacks		78
Air/Manual Bottle Jacks		79
Toe Jacks		79
Pullers		80-88
Hydraulic Bench Vise		88
Bolt Puller / King Pin Press		89
Pad Eye Tester		90



Tools / Equipment	Page Number / Reference Image
Flange Spreaders	 91
Spreaders	 91
Hydraulic Nut Splitters	 92
Maintenance Kits	 93
Pipe Bender	 93
Container Lifting System	 94
Container Moving System	 95
Hydraulic Mounting Clamp	 96
Movable Base Plates	 97
Stabilisation	 98-99



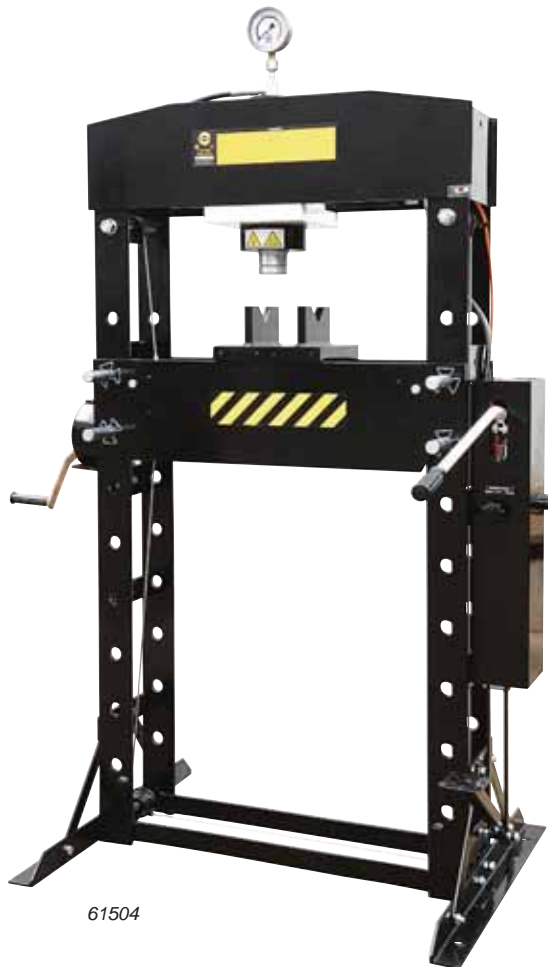
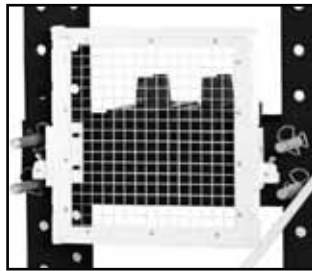
## Heavy Duty Presses

*Excellent for bending, bonding or straightening*

- Multi-position bed for work height adjustment (A-B).
- Press bed of 50 Ton press moved by winch.
- Double speed pumps for fast ram moving without load.
- Cylinder can be re-positioned in width (M).
- Gauge indicates metric Tons.



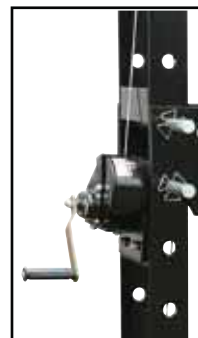
Grid guard ▶



61504



61304

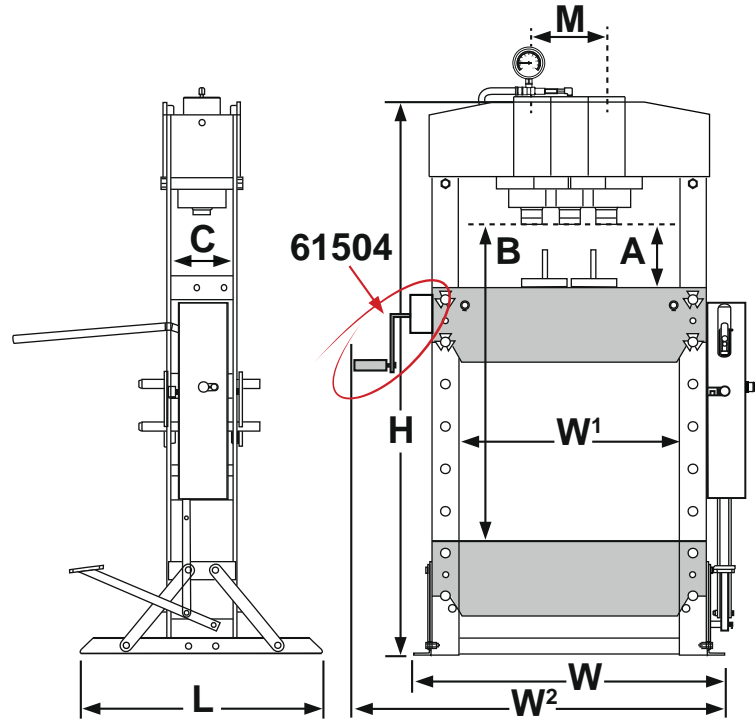


◀ Handwinch



# Heavy Duty Presses

Excellent for bending, bonding or straightening



61154



61204

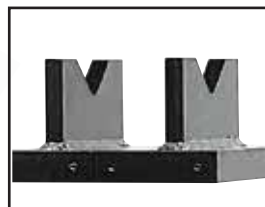


61304



61504

Model Number	Capacity	Stroke	A (mm)	B (mm)	C (mm)	M (mm)	L (mm)	W (mm)	W1 (mm)	W2 (mm)	H (mm)	Weight (kg)
61154	15 Tons 133 kN	160	168	980	160	160	540	700	500	-	1727	92
61204	20 Tons 178 kN	185	35	912	176	176	540	730	510	-	1713	112
61304	30 Tons 267 kN	160	151	1031	200	200	700	795	535	-	1772	167
61504	50 Tons 445 kN	200	69	1048	245	245	800	1030	730	748	1830	298



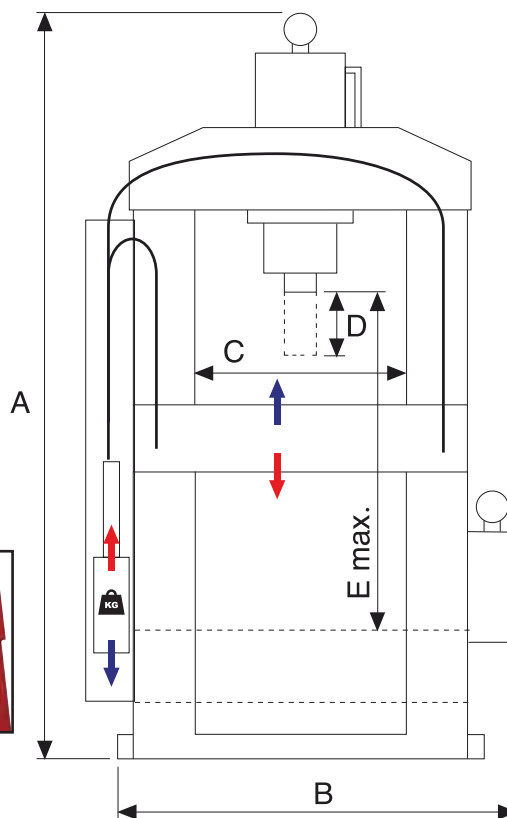


# Hydraulic Manual Press

With easy system for the hoisting of the working table

- The contra weight allows an effortless and fast positioning of the working table (↑↓).
- Designed and developed for relieving the operator from physical stress during hoisting of the working table.
- Supplied with double speed pump and a long hydraulic stroke (200mm).
- Pump to be operated by foot or manually.

Model Number	Capacity	A (mm)	B (mm)	C (mm)	D (mm)	E (mm)	W (mm)	L (mm)	Weight (kg)
SMS3108	30 Tons	2050	1100	710	200	1150	150	650	300
SMS5108	50 Tons	2130	1200	810	200	1150	180	750	400



**Optional Items**

Open Safety Guard SAG51

Closed Safety Guard SAG51

Punch Set SAP31/SAP51

Adapter 15 mm 20 mm 25 mm 30 mm 35 mm



### Safety Practices

Good industry practice recommends not exceeding 80% of maximum rated capacities of all our products.

# Electrical Press

## Electrical Press with Remote Control

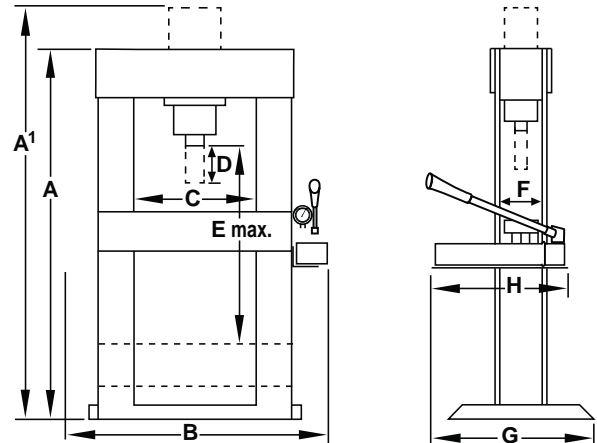


SDE10013

Jew series of electrical presses with double acting cylinder. All presses are supplied with 2 "V" Arbor Plates and a punch plate.

A moveable Ram and winch to hoist the working table is included with the presses.

Remote control operation : easy and flexible operation by means of the remote control.



Model Number	Cylinder	Pump	A (mm)	A1 (mm)	B (mm)	C (mm)	D (mm)	E (mm)	F (mm)	G (mm)	Weight (kg)
SED5513	HD5513	PE0501	2000	2160	1580	785	335	1260	180	750	440
SED10013	HD10013	PE1002	2100	2210	1900	1025	333	1150	270	850	1220



# Electrical Press

## Operating by: "Two" - hands

- Safe two hands operation.
- Flashing warning light - when operating.

Model Number	Cylinder	Pump	A (mm)	A1 (mm)	B (mm)	C (mm)	D (mm)	E (mm)	F (mm)	G (mm)	Weight (kg)
SEC5513	HD5513	PE0501	2000	2160	1580	785	335	1260	180	750	440
SEC10013	HD10013	PE1002	2100	2210	1900	1025	333	1150	270	850	1220



SEC10013



Punch Plate



Winch



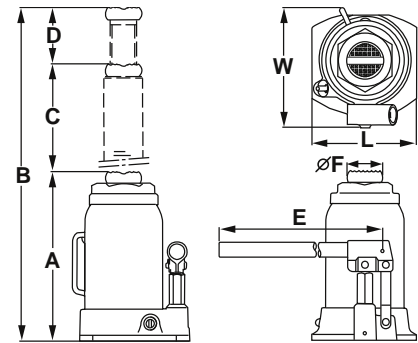
Arbor Plates



# Manual Bottle Jacks

12-50 Ton

- With easy adjustable extension screw [2-20 Tons].
- With rubber removable carry ring for easy storage of pump handle [2-20 Tons].
- Safety valve against over-loading.
- Bottle Jacks 8 Ton and more are supplied with a carry grip.



Model Number	Capacity	A (mm)	B (mm)	C (mm)	D (mm)	E (mm)	F (mm)	L (mm)	W (mm)	Weight (kg)
1412000	12 Tons 107 kN	241	469	150	78	452	42	138	106	7.4
1420000	20 Tons 178 kN	249	475	150	76	452	76	160	150	12.9
1430000	30 Tons 267 kN	268	480	155	57	695	67	190	152	21.4
10500	50 Tons 445 kN	305	483	178	-	593	79	275	198	50.4
10990	100 Tons 890 kN	305	461	156	-	600	113	305	238	90.6

## Mini Jacks

Compact

- Low profile mini jack
- Compact and lightweight
- Convenient for storage



*These mini jacks are lightweight and will fit in the palm of your hand.*



J11100

*Interchangeable saddle on model J11050 and J11055*



J11050

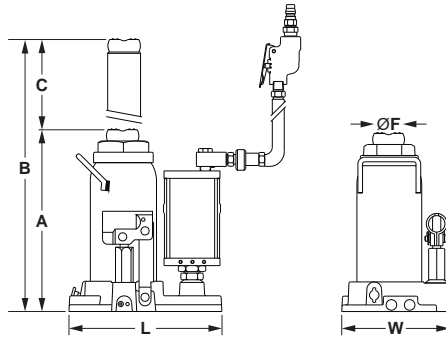
Capacity	Model Number	Minimum Height (mm)	Maximum Height (mm)	Hydraulic Lifting (mm)	Base Size (L x W) (mm)	Weight (kg)
5 Tons 44 kN	J11050	71	79	20	104.14 x 101.6	2.1
5 Tons 44 kN	J11055	97	124	38	104.14 x 101.6	2.4
10 Tons 89 kN	J11100	122	160	41	124.46 x 111.76	5.7
20 Tons 178 kN	J11200	130	173	41	137.16 x 121.92	7.6

# Air/Manual Bottle Jacks

12-100 Ton



- Air operation reduces operator fatigue and increases speed
- A compact/powerful air turbo motor (U.S. Patent No. 5,341,723) will raise the load to the desired height efficiently, effortlessly and safely
- Hydraulic system is protected from internal damage by a patented by-pass mechanism (U.S. Patent No.5,946,912)
- Versatile "Quick Connector" design provides easy removal of the air hose from the air motor, allowing compact storage or remote operation



Model Number	Capacity	A (mm)	B (mm)	C (mm)	D (mm)	E (mm)	F (mm)	L (mm)	W (mm)	Weight (kg)
18202C	20 Tons 178kN	247	477	130	100	600	48	216	184	17
18206C	20 Tons 178 kN	240	465	145	80	600	52	225	170	17.5
17302C	30 Tons 267 kN	280	458	180	-	965	62	260	210	27.5

# Toe Jacks

Low Height

- Heat treated and chrome plated medium-carbon steel cylinder.
- Chrome plated plunger improves longer seal life and optimum performance.
- U.S.Patented by-pass device protects hydraulic system from over travel damage.
- Hydraulic system is protected from internal damage by a patented by-pass mechanism (U.S. Patent No.5946912).



Capacity	Model Number	Toe Saddle		Head Saddle		Hydraulic Lifting (mm)	Base Size (L x W) (mm)	Weight (kg)
		Min. Height (mm)	Max. Height (mm)	Min. Height (mm)	Max. Height (mm)			
3 Ton / 27 kN	J13060	15	147	229	358	130	152 x 112	16.4
6 Ton / 53 kN	J13120	23	152	267	396	130	279x 191	24.9
10 Ton / 89 kN	J13200	28	160	279	409	130	295 x 229	38.1
15 Ton / 133 kN	J13300	28	168	333	472	130	318 x 274	52.9

Bottle Jacks

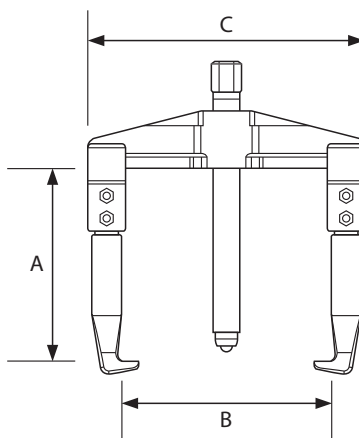


## 2 Leg Adjustable Puller

### Manual Pullers

- Adjustable in width.

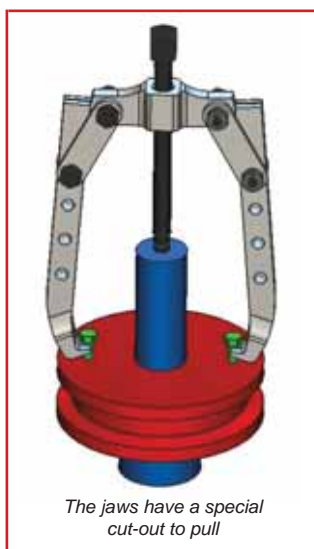
Model Number	Capacity	A (mm)	B (mm)	C (mm)	Weight (kg)
AMP120310	3 Ton	100	95	134	1.1
AMP120315	3 Ton	100	135	176	1.3
AMP120720	7 Ton	150	160	223	3.5
AMP120725	7 Ton	155	190	250	3.6
AMP121230	12 Ton	205	240	325	7.5
AMP121235	12 Ton	200	350	425	9
AMP121240	12 Ton	200	510	585	15
AMP121550	15 Ton	225	640	717	23



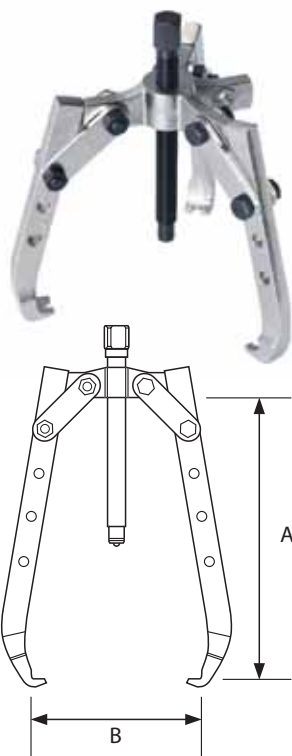
## 2/3 Leg Puller

### Manual Pullers

- Can be used with either 2 or 3 jaws.
- The extra long jaws are adjustable in 4 positions.
- The jaws have a special cut-out to pull.



The jaws have a special cut-out to pull

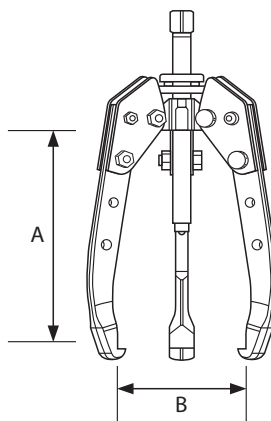


Model Number	Capacity (Ton)	A (mm)	B (mm)	Weight (kg)
AMP230110	1	120	125	0.7
AMP230410	4	210	220	2.1
AMP230710	7	270	280	3.7
AMP230810	8	270	330	4.0

## 2/3 Leg Puller Self-Centering

### Manual Pullers

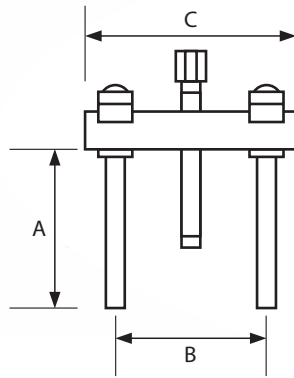
Model Number	Capacity (Ton)	A (mm)	B (mm)	Weight (kg)
AMPC230110	1	120	125	0.8
AMPC230410	4	210	220	2.1
AMPC230710	7	270	280	6.7





# Push Puller

## Manual Pullers

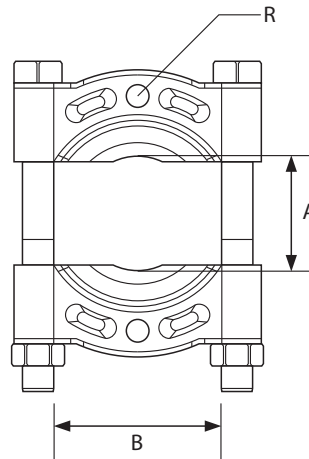


Model Number	A (mm)	B Max. (mm)	B Min. (mm)	C (mm)	Weight (kg)
AMP221102	120	110	46	122	1
AMP221103	120	140	46	156	1.1
AMP221110	190	195	62	210	3.4

# Splitters

## Manual Pullers

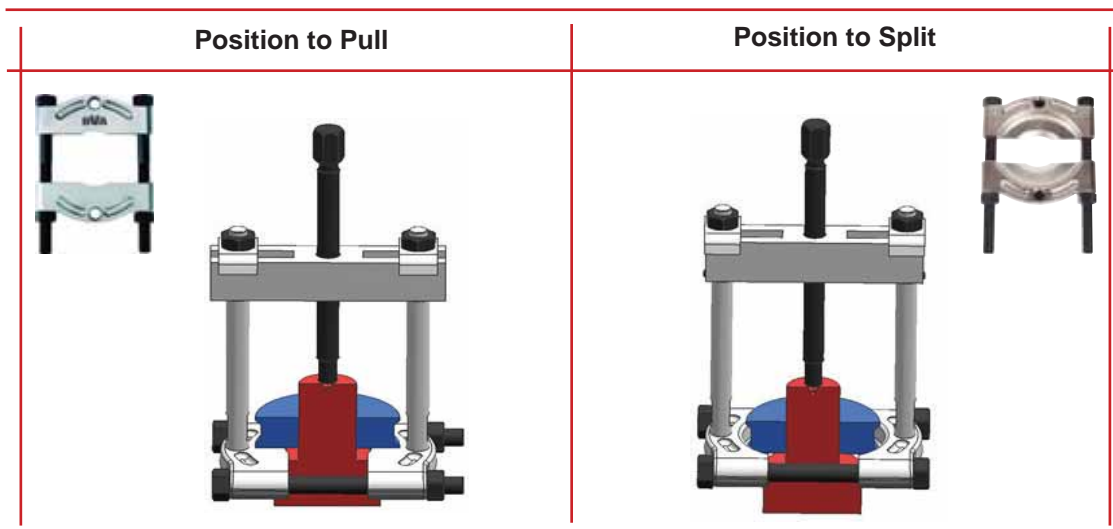
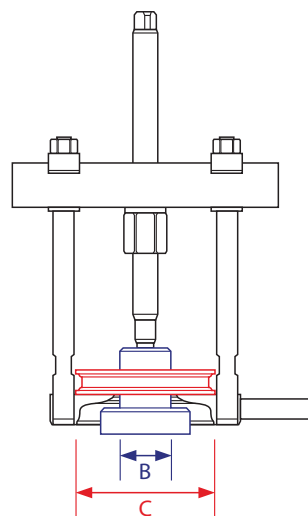
Model Number	A Max. (mm)	A Min. (mm)	B (mm)	R (mm)	Weight (kg)
APS1202	60	4	60	9.5	0.7
APS1203	80	6	80	9.5	1.3
APS1204	110	10	110	15.9	2.7



# Splitters Set

## Manual Pullers

Model Number	A (mm)	B (mm)	C (mm)
AMP320202	100	55	90
AMP320303	100	80	130
AMP321004	152	108	175



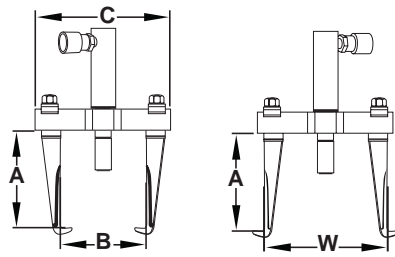
▲ Note: Be sure to use the correct position for the required action in order to avoid damaging the Splitter-Set.



## Puller 2 Leg

### Hydraulic Pullers (Excluding Cylinder)

- Pullers for Single Acting Cylinders.

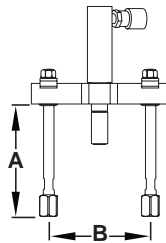


AP(L) 1205

Model Number	Cylinder (Optional)	Capacity (Ton)	A (mm)	B Min. (mm)	B Max. (mm)	W (mm)	W (mm)	C (mm)	Weight (kg)
AP1205	H0503	5	160	60	200	175	270	260	8.5
APL1205	H0503	5	220	60	200	175	270	260	9.0



AP2205



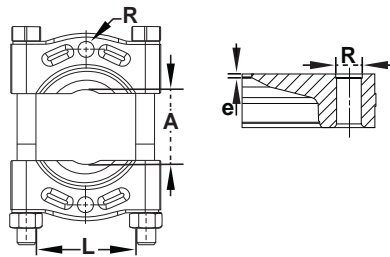
Model Number	Cylinder (Optional)	Capacity (Ton)	A (mm)	B Min. (mm)	B Max. (mm)	Weight (kg)
AP2205	H0503	5	190	82	250	7.8

## Splitters

Model Number	A Min. (mm)	A Max. (mm)	L (mm)	R (mm)	e (mm)	Weight (kg)
APS1204	10	110	110	15.9	2.5	2.8
APS1206	12	134	155	15.9	2.0	5.7



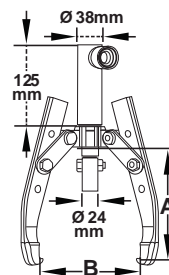
APS1204



AP2205 + APS1204

## Puller 2/3 Leg

Model Number	Cylinder (Optional)	Capacity (Ton)	A (mm)	B Max. (mm)	Weight (kg)
AP1305	H0503	5	225	240	7.8







AP1305

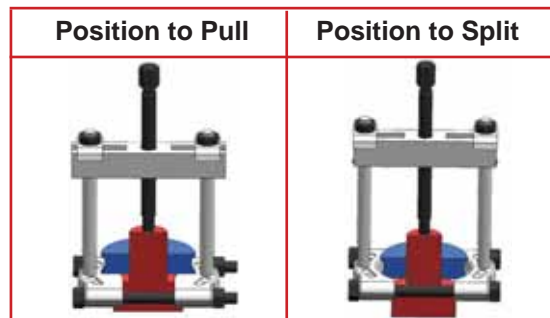
## Puller Kit

(Excluding Cylinder)

### Content:

- 2/3 Leg Puller
- 2 Leg Puller
- Extensions for 2 Leg Puller
- Splitter

Puller Kit	Capacity (Ton)						Weight (kg)
		2/3 Leg Puller	2 Leg Puller	Extension Set		Splitter	
APK1005	5	AP1305	APL1205	APE1108+APE1118		APS1204	18



◀ Note: Be sure to use the correct position for the required action in order to avoid damaging the Splitter-Set.

## Hydraulic Set- Hollow Cylinder

### Content:

- Handpump P350
- Cylinder H0503
- Gauge and Gauge
- Adaptor
- Hose
- Fitting and Coupler

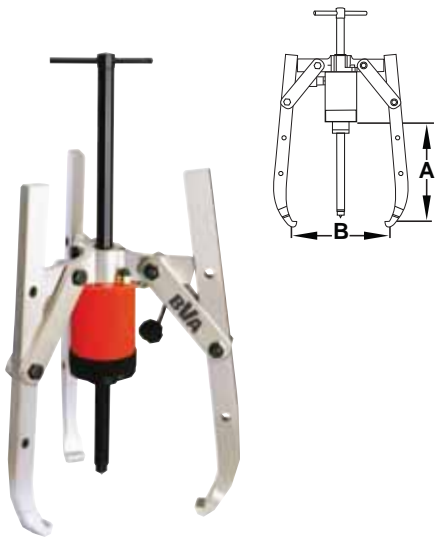


Hydraulic Set	Capacity (Ton)							Weight (kg)
		Handpump	Fitting	Gauge + Adaptor	Hose	Coupler	Cylinder	
APH0503	5	P350	CA3814	GBW1460 + CF3814	CS3814-2	CH38-M	H0503	8



## Puller 2/3 and 3 Leg

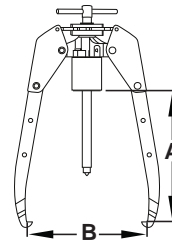
(Excluding Cylinder)



Model Number	Cylinder (Optional)	Capacity (Ton)	Legs	A (mm)	B Max. (mm)	Weight (kg)
AP2310	HC1202	10	2/3	320	360	9
AP2320	HC2002T	20	3	320	480	23
AP2330	HC3002T	30	3	410	650	40
AP2360	HC6003T	60	3	750	980	87
APL2310	HC1202	10	2/3	400	410	9
APL2320	HC2002T	20	3	435	540	23
APL2330	HC3002T	30	3	525	720	40
APL2360	HC6003T	60	3	850	1080	87

## Self-Centering Puller 2/3 and 3 Leg

Model Number	Cylinder (Optional)	Capacity (Ton)	Legs	A (mm)	B Max. (mm)	Weight (kg)
APC2310	HC1202	10	2/3	320	350	15
APC2320	HC2002T	20	3	320	480	33
APC2330	HC3002T	30	3	410	650	57
APC2360	HC6003T	60	3	750	980	122
APC2399	HC10003T	100	3	1050	1600	322
APLC2310	HC1202	10	2/3	400	410	16
APLC2320	HC2002T	20	3	435	540	36
APLC2330	HC3002T	30	3	525	720	63
APLC2360	HC6003T	60	3	850	1080	131



Application	
Splitter	Internal Puller

## Puller Kit (Excluding Cylinder)

Puller Kit	Incl. 3-Leg Puller	Incl. Self-Centering 3-Leg Puller	Capacity (ton)
APK1010	APK1110	APK1210	10
APK1020	APK1120	APK1220	20
APK1030	APK1130	APK1230	30
APK1060	APK1160	APK1260	60
APK1099	-	APK1299	100

### Content:

- 2 Leg Puller
- Extension Legs
- Splitter
- Internal Puller
- Joining Nuts
- Point Protection
- 2/3 Leg Puller (optional)










## Hydraulic Set- Hollow Cylinder

### Content:

- Handpump
- Hollow Cylinder
- Gauge and Gauge
- Adaptor
- Hose
- Fitting and Coupler

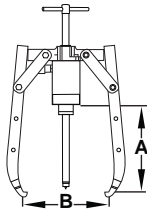


Hydraulic Set	Capacity (Ton)								Weight (kg)
		Handpump	Fitting	Gauge + Adaptor	Hose	Coupler	Cylinder	Saddle	
APHC1202	10	P350	Incl.	GBW1460 + CF3814	CS3814-2	CRZ14-M	HC1202	-	10
APHC2002	20	P350	Incl.	GBW1460 + CF3814	CS3814-2	CH38-M	HC2002T	APS20	15
APHC3002	30	P350	Incl.	GBW1460 + CF3814	CS3814-2	CH38-M	HC3002T	APS30	18
APHC6003	60	P1000	-	GBW1460 + CF3814	CS3814-2	CH38-M	HC6003T	APS60	46
APHC1003	100	P2301	-	GBW1460 + CF3814	CS3814-2	CH38-M	HC10003T	APS100	73



## Composition Hydraulic Puller Kits

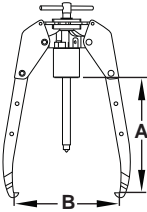
Model Number	Capacity (Ton)									Weight (kg)
		3 or 2/3 Leg Puller Self-Centering	3 or 2/3 Leg Puller	2 Leg Puller	2x Extender Set	Splitter	Internal Puller	Joining Nuts	Point Protection	
APK1010	10			AP2210	APE1120 + APE1146	APS1204	API1210	AJN05	APP10	35
APK1020	20			AP2220	APE1220 + APE1252	APS1206	API1220	AJN10	APP20	60
APK1030	30			AP2230	APE1333 + APE1358	APS1210	API1230	AJN30	APP30	120
APK1060	60			AP2250	APE1550 + APE1582	APS1210D	API1250	AJN50	APP30	215
APK1061	60			AP2250	APE1550 + APE1582	APS1212	API1250	AJN50	APP30	230
APK1110	10		AP2310 (2/3 Leg)	AP2210	APE1120 + APE1146	APS1204	API1210	AJN05	APP10	44
APK1120	20		AP2320 (3 Leg)	AP2220	APE1220 + 1252	APS1206	API1220	AJN10	APP20	83
APK1130	30		AP2330 (3 Leg)	AP2230	APE1333 + APE1358	APS1210	API1230	AJN30	APP30	160
APK1160	60		AP2360 (3 Leg)	AP2250	APE1550 + APE1582	APS1210D	API1250	AJN50	APP30	302
APK1161	60		AP2360 (3 Leg)	AP2250	APE1550 + APE1582	APS1212	API1250	AJN50	APP30	317
APK1210	10	APC2310 (2/3 Leg)		AP2210	APE1120 + APE1146	APS1204	API1210	AJN05	APP10	50
APK1220	20	APC2320 (3 Leg)		AP2220	APE1220 + 1252	APS1206	API1220	AJN10	APP20	93
APK1230	30	APC2330 (3 Leg)		AP2230	APE1333 + APE1358	APS1210	API1230	AJN30	APP30	177
APK1260	60	APC2360 (3 Leg)		AP2250	APE1550 + APE1582	APS1210D	API1250	AJN50	APP30	349
APK1261	60	APC2360 (3 Leg)		AP2250	APE1550 + APE1582	APS1212	API1250	AJN50	APP30	364



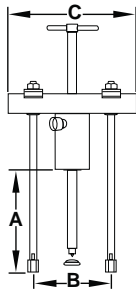
Model Number	Capacity (Ton)	A (mm)	B Min. (mm)	B Max. (mm)	Weight (kg)
AP2305	10	296	50	350	9
AP2320	20	230	70	480	23
AP2330	30	407	90	580	40
AP2360	60	750	120	1080	87

## 3 Leg Pullers

## 3 Leg Self-Centering Pullers

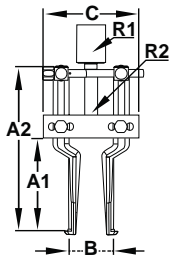


Model Number	Capacity (Ton)	A (mm)	B Min. (mm)	B Max. (mm)	Weight (kg)
APC2305	10	296	50	350	15
APC2320	20	230	70	480	33
APC2330	30	407	90	580	57
APC2360	60	750	120	1080	134



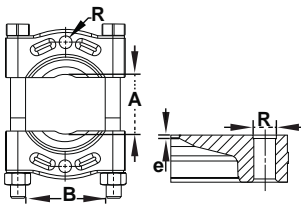
Model Number	Capacity (Ton)	A (mm)	B Min. (mm)	B Max. (mm)	C (mm)	Weight (kg)
AP2210	10	300	115	260	280	18.5
AP2220	20	265	140	345	370	34.7
AP2230	30	284	180	440	480	56
AP2250	60	447	220	580	615	113.5

## 2 Leg Pullers



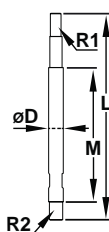
Model Number	A1 (mm)	A2 (mm)	B Min. (mm)	B Max. (mm)	C	R1	R2	Weight (kg)
API1210	115	237	40	145	133	3/4"UNF 16h	5/8" 14h	2.0
API1220	115	237	40	145	133	1"UNF 8h	5/8" 14h	2.4
API1230	150	310	60	240	202	1 1/4"UNF 7 h	1" 14h	6.0
API1250	150	310	60	240	202	1 5/8"UNS 5.5h	1" 14h	6.4

## Internal Pullers



Model Number	A Min. (mm)	A Max. (mm)	L (mm)	R (mm)	e (mm)	Weight (kg)
APS1204	10	110	110	15.9	2.5	2.8
APS1206	12	134	155	15.9	2	5.7
APS1210	17	250	260	25.4	4	28.5
APS1210D	17	250	260	31.8	4	28.5
APS1212	35	300	300	31.8	4.5	43.5

## Splitters



Model Number	L (mm)	M (mm)	Ø D (mm)	R1	R2
APE1120	180	100	16	5/8" - 18h	1/2" - 20h
APE1220	209	89	25	5/8" - 18h	3/4" - 16h
APE1333	328	158	32	1" - 14h	1" - 14h
APE1550	504	292	42	1 1/4" - 12h	1 1/4" - 12h
APE1146	230	150	16	5/8" - 18h	1/2" - 20h
APE1252	515	395	25	5/8" - 18h	3/4" - 16h
APE1358	582	412	32	1" - 14h	1" - 14h
APE1582	820	608	42	1 1/4" - 12h	1 1/4" - 12h

## Leg Extensions



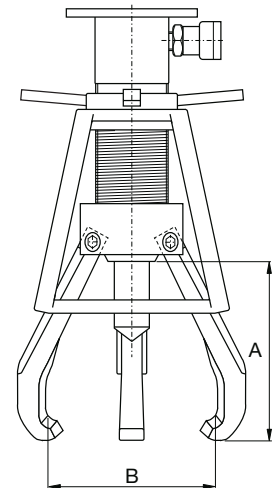
## Hydraulic Gear Pullers

*POSILOCK® (Excluding Cylinder)*



- Safety cage design prevents jaws from slipping
- Cylinders are removable for easy servicing
- Each puller includes a lift plate and a ram point set

Capacity	Model Number	Cylinder	Ram Stroke (mm)	Reach A (mm)	Spread Range B (mm)	Jaw Style
5 Tons 44 kN	HGP053	H0505	129	152	13- 203	External
10 Tons 89 kN	HGP103	H1006	151	203	19 - 304	External
15 Tons 133 kN	HGP153	H1510	254	245	25 - 381	External
25 Tons 222 kN	HGP253	H2514	362	304	63 - 457	External
25 Tons 222 kN	HGP253IE	H2514	362	304	63 - 457	External/Internal
50 Tons 445 kN	HGP503	H5513	337	355	76 - 635	External



## Hydraulic Bench Vise

*5 Ton Holding Force (Excluding Pump & Accessories)*

- Hands free operation with foot pump control
- Air control valve for variable speed and added safety
- Cast steel construction 52,000 PSI tensile strength
- Hydraulic pressure closes jaws, spring return opens jaws



### Safety Instructions

Visit our DO'S and DON'TS section to review the best methods of operation. Always be prepared.

pg 102

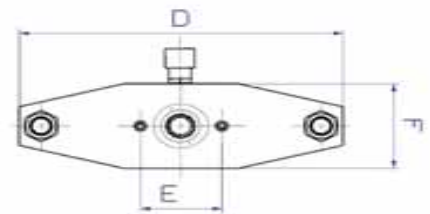
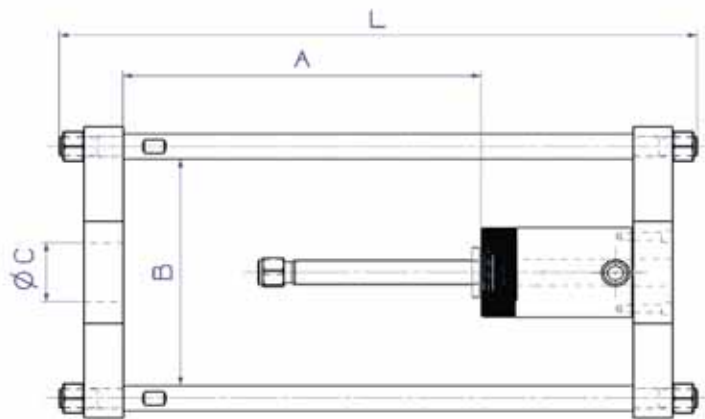
Model Number	Capacity	Jaw Width (mm)	Jaw Clearance (mm)	Jaw Opening (mm)
HBV5	5 Tons 44 kN	203	89	203



# Bolt Puller/King Pin Press

30 Ton & 60 Ton (Excluding Cylinder)

Bolt Puller/King Pin Press (excluding hydraulics).  
Ideal for pushing King Pin and Stub Axle Pin replacement.  
Mobile and easy to use in the field or workshop.



Model Number	A (mm)	B (mm)	Ø C (mm)	D (mm)	E (mm)	F (mm)	L (mm)	Weight (kg)
AP2239	420	288	75	370	92.1	118	750	36
AP2269	475	398	98	520	130.2	170	900	97

Hydraulic Set is not included  
We recommend the following set:

Capacity (Ton)							Weight (kg)
	Handpump	Gauge + Adaptor	Hose	Coupler	Cylinder	Saddle	
30	PA1500	GBW1460 + CF3814	C3814-2	CH38-M	HC3002T	APS30	18
60	PA1500	GBW1460 + CF3814	C3814-2	CH38-M	HC6003T	APS60	46

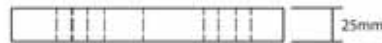
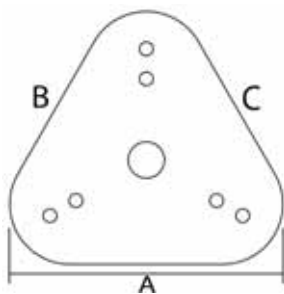


## Pad Eye Tester

20 Ton (Excluding Cylinder)

Model Number	Capacity Ton	A (mm)	B (mm)	C (mm)	Weight (kg)
APPE20	20	225	225	225	24

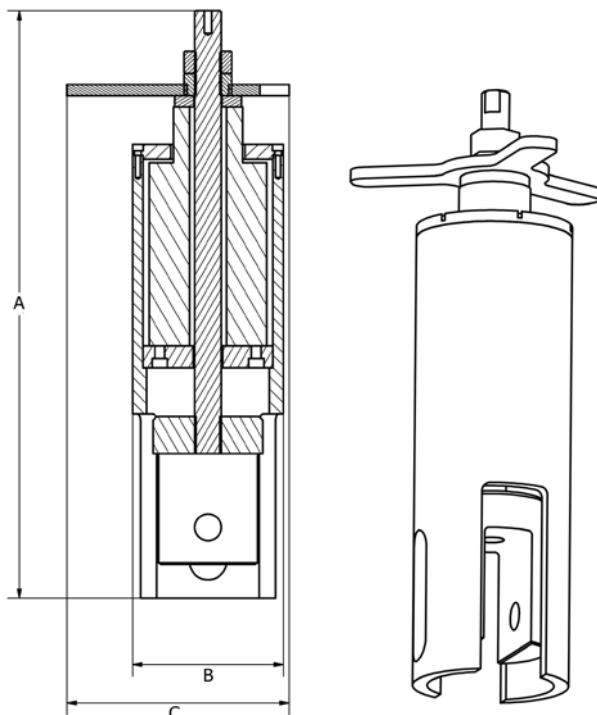
- Pad Eyes are used to tie down loads on marine vessels, trucks, doc sides, oil rigs and many more applications.
- As Pad Eyes might be exposed to extreme loads and therefore need to be tested to make sure they are up to standard for the particular job.
- Our Pad Eye Testers are designed to test many types of pad eyes.



## Pad Eye Tester

30 Ton & 60 Ton  
Excluding Hydraulics

Model Number	Capacity Ton	A (mm)	B (mm)	Ø C (mm)	Weight (kg)
APPE30	30	694	152	380	41
APPE60	60	796	203	380	68



# Flange Spreader

Pin Type (Including Cylinder)

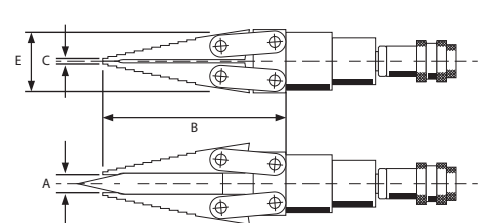
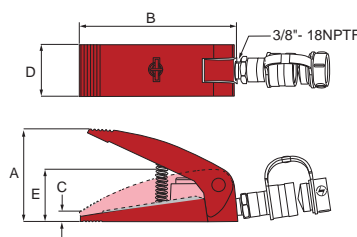
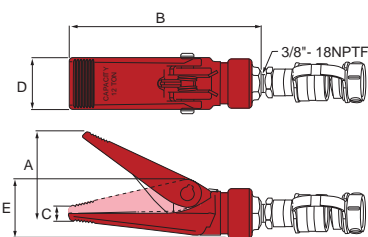
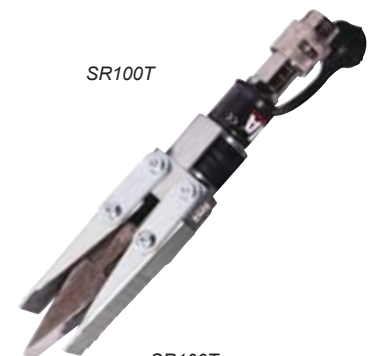


Capacity	Model Number	Stroke (mm)	Oil Capacity (cc)	Maximum Flange Thickness (mm)
5 Ton / 44 kN	HFS05	25	16	51 X 58
10 Ton / 89 kN	HFS10	51	74	51 X 91

- Designed for heavy duty industrial environment
- Adjustable jaw width for a wide range of applications and easy use
- Spare wedge attachment is included

## Spreaders

- Designed to work in confined work spaces
- Ideal for wedging, prying and opening
- High strength forged steel
- Spring return for easy operation



Cylinder Capacity		Model Number	Cylinder Effective Area (cm <sup>2</sup> )	Oil Capacity (cc)	Dimensions (mm)					Weight (kg)
					A	B	C	D	E	
0.5 Ton	4.9 kN	SR05	7.87	10	90	192	13	52	60	2.2
1 Ton	9.8 kN	SR10	7.03	14	99	167	12	55	56	2.3
10 Ton	98 kN	SR100T	N/A	N/A	16	235	7/17	50	37/47	3



## Hydraulic Nut Splitter w/ Case

Compact and Heavy Duty

- Spacers include a straight chisel with a 60/40 angle, and works on all type of materials, including stainless steel
- Chisel can be re-sharpened multiple times
- The aluminum flight case also includes one spare blade



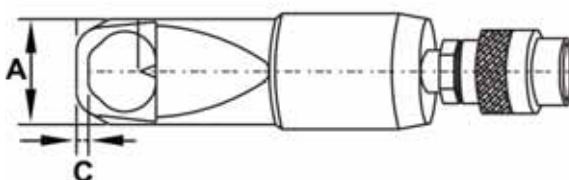
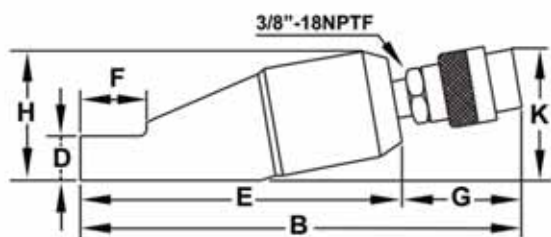
### Our Recommendation

This combination kit will work well with this foot pump



P570FP

pg 46



Model Number	Capacity (Tons)	Bolt Range	Hexagon Nut Range (mm)	Oil Capacity (cc)	Dimensions (mm)									Replacement Blade Model Number	Weight (kg)
					A	B	C	D	E	F	G	H	K		
NS1319	6	M6-M12	13-19	11	40	190	7	19	121	28	55	48	57	NSB1319	1
NS1924	10	M12-M16	19-24	17	54	217	10	26	146	40	55	62	60	NSB1324	2
NS2432	15	M16-M22	24-32	40	64	245	13	29	178	51	55	72	71	NSB2432	3.2
NS3241	21	M22-M27	32-41	62	75	260	17	36	205	66	55	88	77	NSB3241	4.7
NS4150	34	M27-M33	41-50	123	94	310	21	45	244	74	55	105	90	NSB4150	8.5
NS5060	49	M33-M39	50-60	191	106	335	23	54	289	90	55	128	100	NSB5060	13
NS6075	93	M39-M48	60-75	650	156	410	26	72	365	110	55	181	124	NSB6075	34

## BVA Bag

- Very practical for service people.
- For easy and comfortable carry/transport of the equipment to the place of work while keeping your hands free.



## Maintenance Kits

4, 10 Ton



50040



- Sets are portable for ease of use on the job site
- Custom fitted, rugged blow molded storage case
- 10 ton set has wheels for easy transport
- Designed for pushing, spreading, pressing and more



50100

Capacity	Pump Capacity (BAR)	Model Number	Plunger			Number of Attachments	Weight (kg)
			Collapsed Height (cm)	Extended Height (mm)	Effective Area (cm <sup>2</sup> )		
4 Tons 36 kN	552	50040	70.97	258	6.44	14	21
10 Tons 89 kN	700	50100	87.94	324	15.56	13	36.7

\* When extension tubes and/or offset attachments are used, the capacity is reduced.



12,7mm 19,1mm 25,4mm 31,8mm 38,1mm 50,8mm 64mm 76,2mm



## Pipe Bender

6615000

15 Ton

- Complete with 8 former attachments for a wide variety of pipe diameters.
- Capable of bending high pressure/temperature tubing as well as standard hydraulic, gas, steel, aluminum and brass from 12.7mm up to 76.2mm, with included attachments.
- Ram range: 251mm
- Max. working pressure: 700 BAR
- Product size 700x779x970 mm
- Weight: 82.8 Kg.



# Container Lifting System

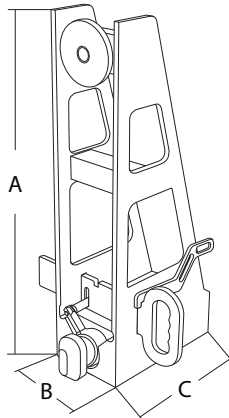
To transport containers safely



- Easy to operate and simple to move around or to store.
- Replaces the expensive solution of renting a crane or other equipment to move or re-position (loaded) containers.
- An (optional) cart (CLC) to easily move and position the corner blocks.
- A complete container lifting set contains:
  - Cart to move corner blocks.
  - 4 corner blocks with 25 Ton hydraulic cylinder.
  - The necessary hoses, couplers and fittings.
  - Pump to operate the system.
- The set can be composed to your needs/requirements with air hydraulic, electric or gasoline/diesel pump.



CLS25



▲ Support Plate



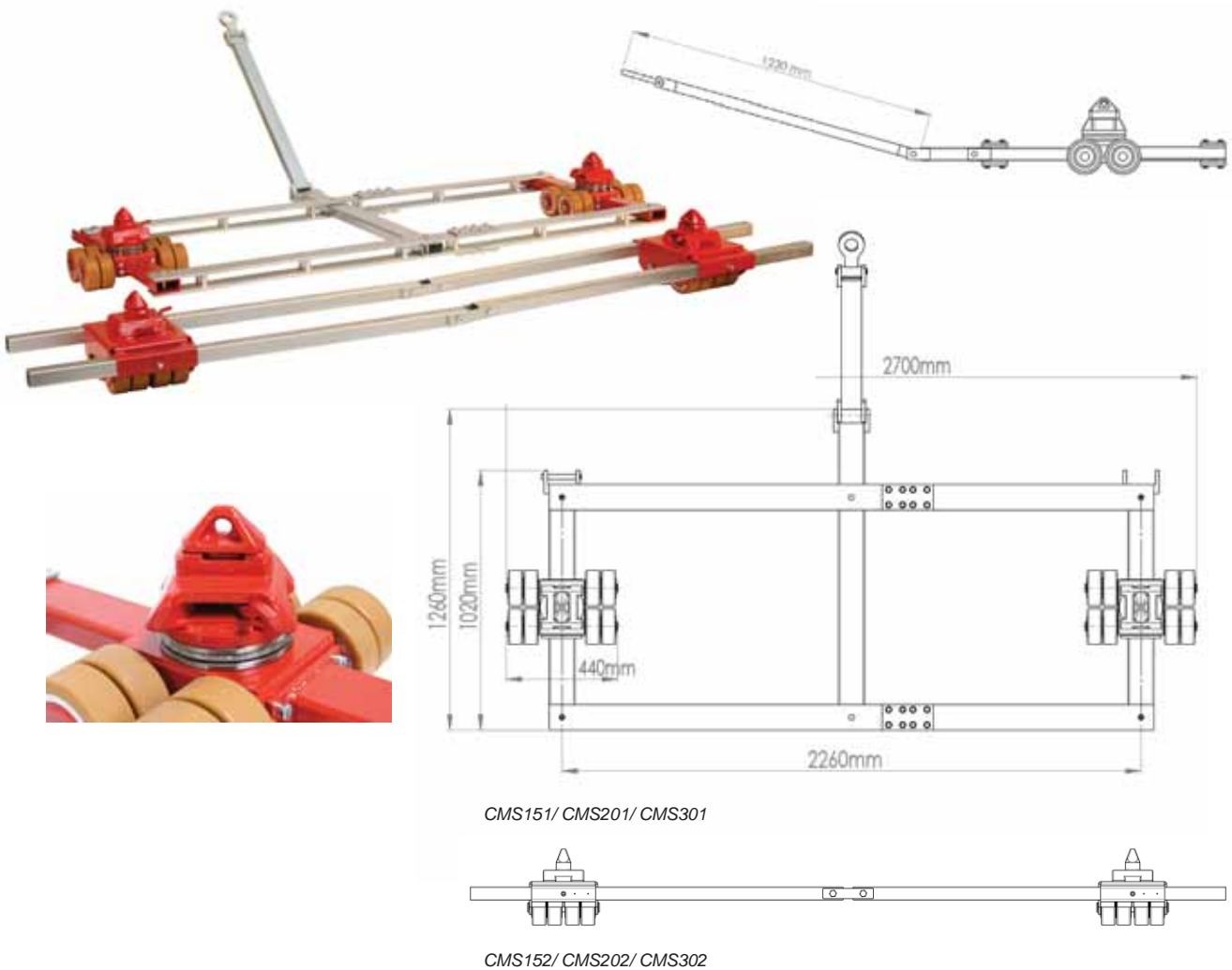
CLC

Model Number	A (mm)	B (mm)	C (mm)	Weight (kg)
CLS25	600	140	255	300

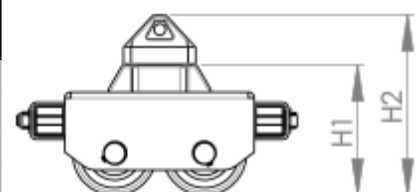


## Container Moving System

- To safely and easily move containers around; inside or outside.
- Moves (loaded) containers up to 60 Ton.
- Twistlock for added safety and use on (slightly) uneven surfaces.  
(CMS 301/CMS 302 & CMS 201/ CMS 202)
- Fits all ISO-containers.
- Transport trolleys:
  - CMS 151/CMS 201/CMS 301 tandem trolley with turntable for steering.
  - CMS 152/CMS 202/ CMS 302



Model Number	Capacity (ton)	Wheels Ø (mm)	Number of Wheels	H1 (mm)	H2 (mm)	Cone	Use
CMS151	15	Ø 85 x 85	16	110	180	Welded	Indoor/Outdoor on smooth floors
CMS152	15		16				
CMS201	20	Ø 140 x 59	16	215	300	Twist Lock	Indoor/Outdoor on pavement
CMS202	20		16				
CMS301	30	Ø 140 x 59	24	215	300	Twist Lock	Indoor/Outdoor on pavement
CMS302	30		24				





## Ring Mounting Clamp-Hydraulic



- For mounting of O-Ring and Lock-Ring.
- To be used on tyre-size starting at 23.5" x 25".
- 2 extension pieces for use up to 52" are included.
- With Safety chain (to be attached to wheel nut, flange bolt or bolt hole).
- Complete set includes 2 x 5Ton cylinders (H0509) and a control column with an airhydraulic foot pump.

## Hydraulic Mounting Clamp

- Including accessories.
- For tires sizes 23.5" x 25" up to 52".
- With a safety chain.
- Including 2 hydraulic cylinders H0509.



HMC0509



HMC-Crate

## Transport and Storage Case

- To store the mounting clamp and all accessories.

## Control Column

- With air hydraulic foot pump PA1500.
- High pressure hoses CS3814.
- Manifold, couplers and fittings.



HMCC1500





## Moveable Base Plates

*For Lifting Earth Moving Machine,  
Reach Stacker and Straddle Carrier*



CBM25

### CBM25

- Mobile base plate.
- Accomodates all single acting 25 Ton (H25...) cylinders.
- Lifts 25 Ton in single and 50 Ton in parallel use.
- Includes double handle, elevation discs and saddle.



CBM50

### CBM50

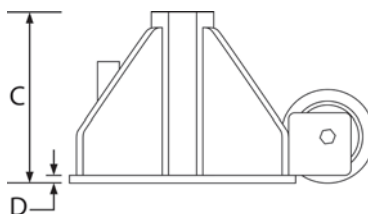
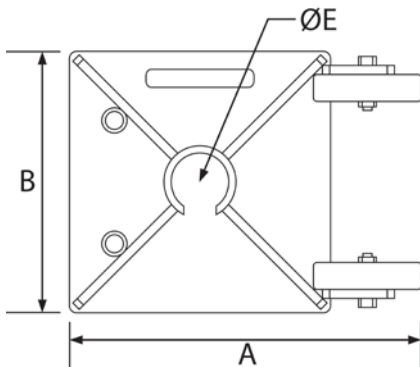
- Mobile aluminum base plate.
- Accomodates all single acting 50 Ton (H55..) cylinders.
- Lifts 50 Ton in single and 100 Ton in parallel use.
- Includes double handle and saddle.



CBM100

### CBM100

- Mobile base plate.
- Accomodates all single acting aluminum 100 Ton. (HU100...) cylinders.
- Lifts 100 Ton in single and 200 Ton in parallel use.
- Includes double handle and aluminum elevation discs.



Model Number	A (mm)	B (mm)	C (mm)	D (mm)	E (mm)	Weight (kg)
CBM25	420	280	270	15	87	32
CBM50	700	500	400	15	130	25
CBM100	530	350	270	10	185	36



#### Related Product: Stability Solutions

We offer Stabilisation  
Blocks and Support Pads

pg 98

**80%**

#### Safety Practices

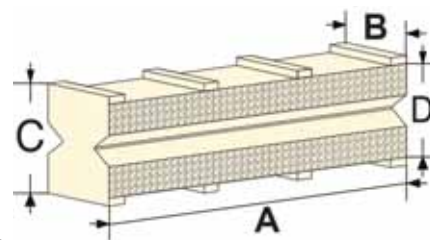
Good industry practice  
recommends not exceeding  
80% of maximum rated  
capacities of all our products.






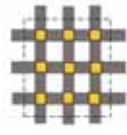



## Stabilisation Blocks

### Stability solutions

- The stabilisation blocks are designed to provide superior crib stability compared to standard products.
- Unlike wooden products, the stabilisation blocks do not splinter or absorb fluids, neither will fail catastrophically.
- Lightweight and easy to handle, with anti-slip layers.
- Instead of snapping, cracking or collapsing it gradually deforms providing a visual warning of overload.



Stabilisation Blocks	Model Number	Color	Dimension (mm)				Weight (kg)	Max. Load Capacity (Ton)		Stackability			
			A	B	C	D				Layer	Height (mm)		
	SB 001B	Black	457	90	105	80	3.2	35	50	1	105		
	SB 001Y	Yellow	457	90	105	80	3.2			4	345		
	SB 002B	Black	610	152	178	150	11.3			100	150	7	585
	SB 002Y	Yellow	610	152	178	150	11.3					10	825
	Interlocked Cribbing Options		Height of the stability tower is limited to $\leq 3x$ width of the base.										
								2 Stage	3 Stage				
<b>Wedge for SB 001 or SB 002</b>													
	SW 001B	Black	490	90	90		1.8						
	SW 002B	Black	610	130	145		5.5						

## Cribbing on Solid Ground



▲ In this photo, we see SB 002B blocks set up for a 2 stage crib application.



▲ Stabilisation blocks are designed according to a system of interlocking blocks. In this photo, we see SB 002B blocks set up for a 3 stage crib application.



### Safety First

Loads must be evenly spread over the cribbing blocks. Point-loading to be avoided.



### Safety Practices

Good industry practice recommends not exceeding 80% of maximum rated capacities of all our products.



### Safety First

When you are cribbing, do not mix different blocks. The blocks need to be identical. Wedges should be similar width as crib block.

# Support Pads

*Stability solutions*



The support pads are outrigger pads used for mobile cranes, truck mounted cranes, aerial working platforms, concrete pumps, containers, hydraulic jacks etc.

Its purpose is to spread the weight over a larger surface offering better support while also protecting the surface.

Support Pads	Model Number	Grip	Dimension (mm)	Weight (kg)	Capacity (Tons)
	SP 44410	1	400 x 400 x 40	6	10
	SP 55415	1	500 x 500 x 40	9	15
	SP 66420	1	600 x 600 x 40	14	20
	SP 66625	1	600 x 600 x 60	20	25
	SP 1010650	2	1000 x 1000 x 60	58	50

*Other sizes/capacities available on request.*

## Support Pads

*Stability solutions*

- Ecological
- Light weight
- Easy to handle
- High durability
- High flexibility
- Water-repellent
- Nearly unbreakable
- No rusting
- No Rotting



### Safety Practices

Good industry practice recommends not exceeding 80% of maximum rated capacities of all our products.





# BVA Cross Reference Chart\*

## Compatibility Check

Ton	BVA	Enerpac	Power Team	Hi-Force
<b>Single Acting Cylinders</b>				
5	H0500	RC-50	-	HFS51
	H0501	RC-51	C51C	HSS51
	H0503	RC-53	C53C	HSS53
	H0505	RC-55	C55C	HSS55
	H0507	RC-57	C57C	HSS57
	H0509	RC-59	C59C	HSS59
10	H1001	RC-101	C101C	HSS101
	H1002	RC-102	C102C	HSS102
	H1004	RC-104	C104C	HSS104
	H1006	RC-106	C106C	HSS106
	H1008	RC-108	C108C	HSS108
	H1010	RC-1010	C1010C	HSS1010
15	H1012	RC-1012	C1012C	HSS1012
	H1014	RC-1014	C1014C	-
	H1501	RC-151	C151C	-
	H1502	RC-152	C152C	HSS152
	H1504	RC-154	C154C	HSS154
	H1506	RC-156	C156C	HSS156
	H1508	RC-158	C158C	-
	H1510	RC-1510	C1510C	HSS1510
25	H1512	RC-1512	C1512C	-
	H1514	RC-1514	C1514C	-
	H2501	RC-251	C251C	-
	H2502	RC-252	C252C	HSS252
	H2504	RC-254	C254C	HSS254
	H2506	RC-256	C256C	HSS256
	H2508	RC-258	C258C	HSS258
	H2510	RC-2510	C2510C	HSS2510
30	H2512	RC-2512	C2512C	-
	H2514	RC-2514	C2514C	HSS2514
	H3008	RC-308	-	HSS308

Ton	BVA	Enerpac	Power Team	Hi-Force
55	H5502	RC-502	C552C	HSS502
	H5504	RC-504	C554C	HSS504
	H5506	RC-506	C556C	HSS506
	H5513	RC-5013	C5513C	HSS5013
75	H7506	RC-756	C756C	HSS756
	H7513	RC-7513	C7513C	-
100	H10006	RC-1006	C1006C	HSS1006
	H10010	RC-10010	C10010C	HSS10010
<b>Threaded Cylinders</b>				
10	HT1006	-	C106CBT	-
	HT1010	-	C1010CBT	-
<b>Aluminum Cylinders</b>				
20	HU2002T	RAC-202	RA202	-
	HU2004T	RAC-204	RA204	-
	HU2006T	RAC-206	RA206	-
30	HU3002	RAC-302	RA302	-
	HU3004	RAC-304	RA304	-
	HU3006	RAC-306	RA306	HAS306
50	HU5002	RAC-502	RA552	-
	HU5004	RAC-504	RA554	-
	HU5006	RAC-506	RA556	HAS506
	HU5010	RAC-5010	RA5510	-
75	HU7504	-	-	-
	HU7506	-	-	-
700	HU10002	RAC-1002	RA1002	-
	HU10006	RAC-1006	RA1006	HAS1006
	HU10010	RAC-10010	-	-
<b>Low Profile Cylinders</b>				
10	HL1001	RCS-101	RSS101	HLS101
20	HL2002	RCS-201	RSS202	HLS201
30	HL3002	RCS-302	RSS302	HLS302
50	HL5002	RCS-502	RSS502	HLS502
100	HL10002	RCS-1002	RSS1002	HLS1002
<b>Flat Body Cylinders</b>				
5	HF0503	RSM-50	RLS50	HPS50
	HF0503B kit	-	-	-
10	HF1005	RSM-100	RLS100	HPS100
	HF1005B kit	-	-	-

BVA® is a registered trademark of SF Companies.  
 Enerpac® is a registered trademark of the Actuant Corporation.  
 Power Team® is a registered trademark of SPX Corporation.  
 Simplex® is registered of the Actuant Corporation.

# BVA Cross Reference Chart\*

Compatibility Check

Ton	BVA	Enerpac	Power Team	Hi-Force
20	HF2005	RSM-200	RLS200	HPS200
	HF2005B kit	-	-	-
30	HF3005	RSM-300	RLS300	HPS300
	HF3005B kit	-	-	-
50	HF5006B	RSM-500	RLS500S	HPS500
75	HF7506	RSM-750	RLS750S	HPS700
100	HF10006	RSM-1000	RLS1000S	HPS1000
150	HF15006	RSM-1500	RLS1500S	HPS1500
<b>Pull Cylinders</b>				
2	HP0205	BRC-25	RP25	-
5	HP0505	BRC-46	RP55	-
10	HP1006	BRC-106	-	-
<b>Hollow Hole Cylinders</b>				
12	HC1201T	RCH-120	RH120	HHS101
	HC1202T	RCH-121	RH121	HHS102
	HC1202XT	RCH-1211	RH121T	-
	HC1203XT	RCH-123	RH123	-
20	HC2002T	RCH-202	RH202	HHS202
	HC2006T	RCH-206	RH206	HHS206
30	HC3002T	RCH-302	RH302	HHS302
	HC3006T	RCH-306	RH306	HHS306
60	HC6003T	RCH-603	RH603	HHS603
	HC6006T	RCH-606	RH606	HHS606
100	HC10003T	RCH-1003	RH1003	HHS1003
<b>Lock Nut Cylinders</b>				
55	HLN5502	CLL-502	R552L	HFG502
	HLN5504	CLL-504	-	-
	HLN5506	CLL-506	R556L	HFG504
	HLN5508	CLL-508	-	-
	HLN5510	CLL-5010	R5510L	HFG506
	HLN5512	CLL-5012	-	-
100	HLN10002	CLL-1002	R1002L	-
	HLN10004	CLL-1004	-	HFG1004
	HLN10006	CLL-1006	R1006L	HFG1006
	HLN10008	CLL-1008	-	-
	HLN10010	CLL-10010	R10010L	-
	HLN10012	CLL-10012	-	-

Ton	BVA	Enerpac	Power Team	Hi-Force
10	HD1010	RR-1010	RD1010	-
	HD1012	RR-1012	-	-
30	HD3008	RR-308	-	-
	HD3014	RR-3014	RD2514	-
55	HD5506	RR-506	RD556	HDA5506
	HD5513	RR-5013	RD5513	HDA5513
	HD5520	RR-5020	RD5518	-
75	HD7506	RR-756	-	-
	HD7513	RR-7513	-	-
100	HD10006	RR-1006	RD1006	HDA1006
	HD10013	RR-10013	RD10013	HDA10013

BVA	Enerpac	Power Team	Hi-Force
<b>Hand Pumps</b>			
P601S	P-39	P12	HP110
P1201S	P-391	P55	-
P350	P-142	-	HP211
P1000	P-392	P59	HP212
P1201	P-77/P-80	-	-
P2301	P-80	P159	HP227
P4301	P-801	P157	HP257
P8701	P-462	P460	HP245
P2301M	P-84	P157D	-
P8701M	P-464	P460D	HP245D
P240L	P-18	-	-
<b>Air Pumps</b>			
PA600	PA-133	PA9	-
PA600H	-	PA9H	-
PA1500	-	PA6	-
PA1500L	PARG-1102N	PA6R	-
PA1500M	-	PA6DM	-
PA2000	PATG-1102N	-	AHP1120
PA3801	PATG-1105N	PA6-1	AHP1121
PA3801L	-	-	AHP1141
PAR1703	-	PA174	-
PAR4003	ZA4310MX	PA462	-
PARD1701	-	PA172	-
PARD1703	-	PA174	-

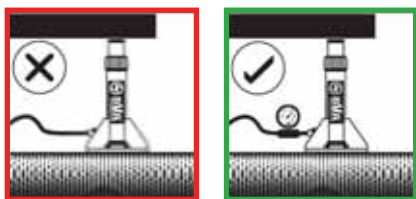
\*For comparison purposes only. Products are not identical. To view complete cross over list go to [www.BVA-hydraulics.com](http://www.BVA-hydraulics.com)



# Safety Instructions

## Industry Safety Standards

### General

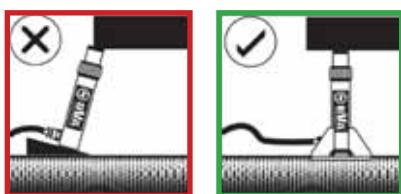


Do not override the factory setting of relief valves. Always use a gauge to check system pressure.

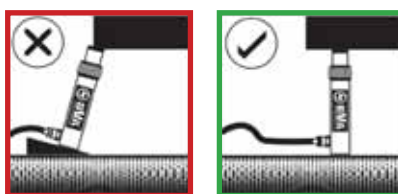
### Safety Instructions

- Read and understand all printed materials provided with and on this cylinder
- Do not exceed rated capacities
- Use only on hard level surface capable of sustaining the load
- Do not connect actuators to pumps with higher pressure ratings
- Always inspect hoses and connections for damage prior to use
- Keep hands and feet clear of work area
- **LIFTING DEVICE ONLY!** Immediately after lifting, support the load with appropriate means
- Use only manufacturer approved hydraulic fluid
- A flow-restricting component shall not be present between the relief valve and the tank
- No alterations shall be made to this cylinder
- Failure to meet these markings may result in injury and/or property damage
- Each double-acting cylinder shall be fitted with a relief valve on the retract circuit, which bleeds off the smaller effective area of the cylinder

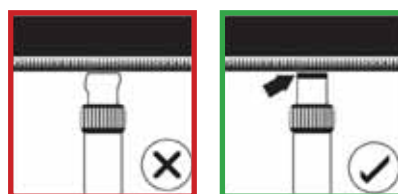
### Cylinders



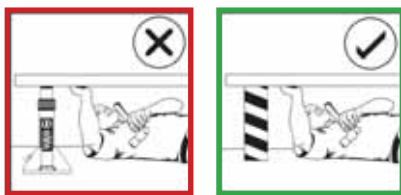
Provide a solid support for the entire cylinder base area. Use cylinder base attachment for more stability.



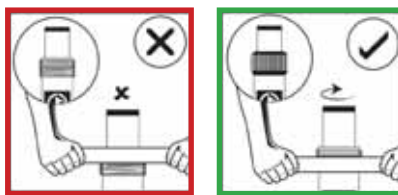
The entire cylinder saddle must be in contact with the load. Movement of the cylinder must be parallel with the movement of the load.



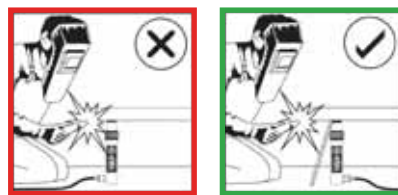
Do not use cylinder without saddle. This will cause plunger to "mushroom" Saddles distribute load evenly on the plunger.



As with jacks, never place any part of your body under the load. Load must be on cribbing before venturing under.

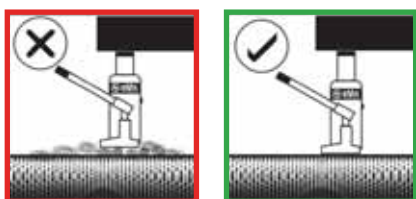


Always protect cylinder threads for use with attachments.

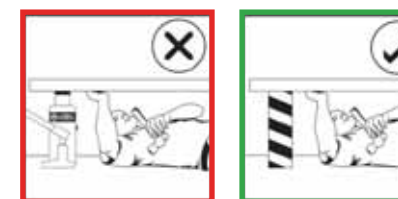


Keep hydraulic equipment away from open fire and temperatures above 150°F (65°C).

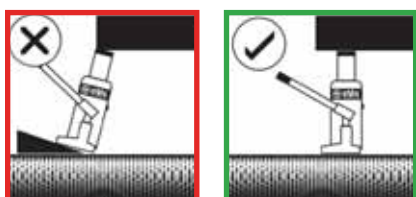
### Jacks



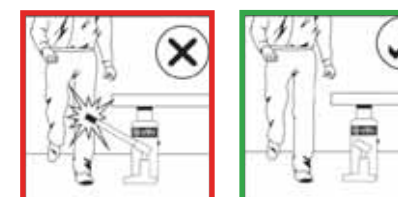
Provide a level and solid support for the entire jack base area.



Never place any part of your body under the load. Ensure the load is solidly supported before venturing under.



The entire jack saddle must be in contact with load. Movement of the load must be in the same direction as jack plunger.



Remove the jack handle when not in use.

### 80% Rule

**Good industry practice recommends not exceeding 80% of maximum rated capacities.**

- Use only on hard, level surfaces capable of sustaining the load.
- Immediately after lifting, support the load with appropriate means
- Failure to meet these warnings may result in personal injury as well as property damage.

## Hydraulic Pump Safety Instructions

- **READ AND UNDERSTAND ALL WARNINGS, INSTRUCTIONS AND OWNER'S MANUAL INFORMATION BEFORE ATTEMPTING TO USE THIS EQUIPMENT**
- Burst hazard exists if hose or connection pressure exceeds rated pressure.
- Do not exceed the rated capacity of this device. Monitor pressure and load at all times.
- Verify load with calibrated load cell and indicator, accurate pressure gauge or equivalent devices.
- Inspect hoses and connections for damage prior to use. Never attempt to grasp a leaking pressurized hose.
- Release the hydraulic pressure before disconnecting hoses or couplers, and before servicing the pump or accessory.
- Immediately after lifting, support the load with appropriate means. Never rely on hydraulic pressure to support a load.
- Wear protective clothing and eye protection that meets ANSI Z87.1 and OSHA standards when operating this equipment.
- Ensure that the chosen application is stable to work on and around.
- Do not subject the pump and its components to shock loads.
- Do not connect to applications which can return more oil to the reservoir than the pump reservoir can hold.
- Ensure that the rated pressure of all applications and fittings is equal to or greater than the rated pressure of this pump.
- Keep hydraulic equipment away from flames and heat.
- No alterations shall be made to this device.
- Failure to meet these warnings may result in personal injury as well as property damage.

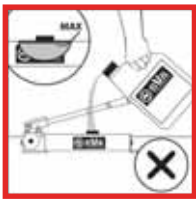
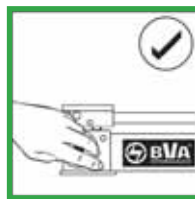
### Pumps



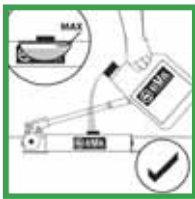
▲ Do not use handle extender. Hand pumps should be easy to operate when used correctly.



▲ Close release valve finger tight. Using force will damage the valve.



▲ Fill pump only to recommended level. Fill only when connected cylinder is fully retracted.



▲ Use only genuine BVA hydraulic oil. The wrong fluid can destroy your seals and pump and will render your warranty null and void.



### Electric Pump Safety Instructions

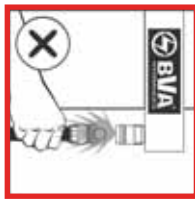
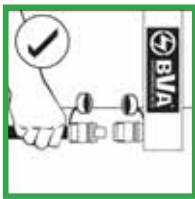
#### TO AVOID ELECTROCUTION HAZARD:

- Owner/Operator must read, understand and follow all printed material provided with this device before use.
- Connect ONLY to properly grounded electrical source. Connect to GFI outlet ONLY! For use in dry locations.
- Avoid the use of extension cords. If used, extension cord lengths up to 7 meter shall be SJT-14X3 or heavier. For cords up to 15 meter, use SJT-12X3 or heavier.
- For extension cord lengths up to 30 meter, use SJT-10X3 or heavier. NEVER use a 3 prong adapter.
- Do not operate this device in an explosive atmosphere or in the presence of conductive liquids.

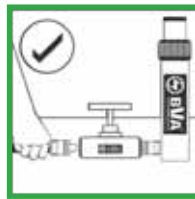
### Hoses and Couplers



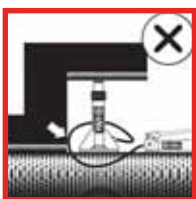
▲ Clean both coupler parts before connecting. Use dust caps when coupler parts are not connected.



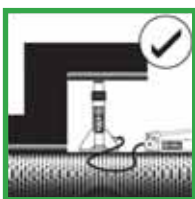
▲ Detach cylinder only when fully retracted or use shut-off valves or safety valves to lock-in cylinder pressure.



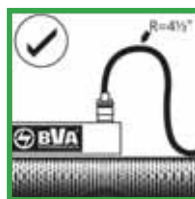
▲ Don't lift hydraulic equipment by the hoses.



▲ Keep hoses away from the area beneath loads.



▲ Do not kink hoses. Bending radius should be at least 4 1/2". Do not drive over or drop heavy objects on the hoses.





# Maintaining Your Equipment

Ensure a longer life span of your equipment

### Hydraulic Fluids

- Use only BVA Hydraulic Oil P/N's; HV155 or HV685 for pumps and cylinders.

### Air Line Lubricants

- Use Class 1 Turbine Oil (ISO VG32) for Air Line Lubricant

### Hydraulic and Pneumatic Filtration

- Hydraulic fluid must be kept clean, cool and free of water.
- Use Hydraulic Filtration to provide fluid which meets ISO 17/15/12 cleanliness levels.
- Air Line Filtration for solid particulate contamination removal: Use BVA P/N; FRL-145, 5uM Pneumatic Filter.
- Air Line Water Removal; Use BVA P/N; AD-145, Ambient Dryer.

### Proper Operation of Equipment

- Refer to individual Product Owner's Manuals and BVA Catalogs for general information, specifications, safety, set up, operation, maintenance, trouble shooting, storage and warnings for all BVA products.

## Formulas

Key to Measurements			
Weight:		Length	
1 pound (lb.)	=0.4536 kg	1 in	=25.4 mm
1 kg	=2.205 lbs	1 mm	=0.039 in
1 ton (short, US)	=2,000 lbs	1 in <sup>2</sup>	=6.452 cm <sup>2</sup>
1 ton (metric)	=2,205 lbs	1 cm <sup>2</sup>	=0.155 in <sup>2</sup>
Volume:		Pressure:	
1 in <sup>3</sup>	=16.387 cm <sup>3</sup>	1 psi (lb/in <sup>2</sup> )	=0.69 bar
1 cm <sup>3</sup>	=0.061 in <sup>3</sup>	1 bar	=14.5 psi
1 liter	=61.02 in <sup>3</sup>	1 kPa	=0.145 psi
	=0.264 gal(US)		
1 gal (US, liquid)	=3.785 liter	Temperature:	
	=231 in <sup>3</sup>	0°F	=(0°C x 1.8) + 32
	=3,785 cm <sup>3</sup>	0°C	=(0°F - 32) ÷ 1.8

### Cylinder Plunger Speed

$$\text{Formula} \rightarrow V = \frac{A}{Q} \times 60$$

$$\text{Cylinder Plunger Speed (sec/cm}^2\text{)} = \frac{\text{Cylinder Effective Area (cm}^2\text{)}}{\text{Pump Flow Rate (cm}^3\text{/min)}} \times \frac{60 \text{ (sec)}}{1 \text{ (min)}}$$

### Force

$$\text{Formula} \rightarrow F = P \times A$$

$$\text{Force (kg)} = \text{Hydraulic Working Pressure (kg/cm}^2\text{)} \times \text{Cylinder Effective Area (cm}^2\text{)}$$

### Cylinder Oil Capacity

$$\text{Formula} \rightarrow C = A \times L$$

$$\text{Oil Capacity (cm}^3\text{)} = \text{Cylinder Effective Area (cm}^2\text{)} \times \text{Cylinder Stroke (cm)}$$

### 1/4" Hose Oil Capacity

$$\text{Formula} \rightarrow C = \frac{\text{Internal Diameter (mm}^2\text{)}}{4} \times \pi \times \text{Length of Hose (m)}$$

$$\text{Oil Capacity (cm}^3\text{)} = 33 \times \text{Length of Hose (m)}$$

### 3/8" Hose Oil Capacity

$$\text{Formula} \rightarrow C = \frac{\text{Internal Diameter (mm}^2\text{)}}{4} \times \pi \times \text{Length of Hose (m)}$$

$$\text{Oil Capacity (cm}^3\text{)} = 72 \times \text{Length of Hose (m)}$$

### Cylinder Effective Area

$$\text{Formula} \rightarrow A = \pi \times \frac{D^2}{4}$$

$$\text{Cylinder Effective Area} = \pi \times \frac{\text{(Cylinder Bore Diameter)}^2}{4}$$

$$\pi = 3.14159265359$$



# Model Number Index

H	6	HL	16	HLN	22	HP	26	HDG	32	Accessoires	40
HG	10	HF	18	HLNF	24	HPD	27	HDU	36		
HU	14	HC	20	HT	25	HD	28	HDC	38		

## Cylinders



Pages 6-41

P	Single Acting Hand Pumps	44	PA	All Position Air Pumps	47	PAR	Rotary Air Pumps	50	PE	3-Phase Electric Pumps	56
P	Double Acting Hand Pumps	44	PA	Single Acting Air Pumps	48	PU	Universal Motor Pumps	51	PG	Gas Engine Pumps	57
P57	Foot Pumps	46	PA	Double Acting Air Pumps	48	PE	1-Phase Electric Pumps	52	PD	Diesel Engine Pumps	57

## Pumps



Pages 44-59

H	General Purpose Cylinder Combinations	60	HL	Low Profile Cylinder Combinations	61
HF	Flat Body Cylinder Combinations	60	HLN	Lock Nut Cylinder Combinations	61
HC	Hollow Hole Cylinder Combinations	61	HU	Aluminum Cylinder Combinations	61

## Combo Kits



Pages 60-61

Flow Control Valves	62	Gauge Adapters	65	Pressure Switch	66	Hydraulic Couplers	67	Manifold Blocks	68	Fittings	71
Manifolds	64	Hydraulic Oil	66	Foot Pedals	66	Hydraulic Hoses	67	Directional Control Valves	69		
Pressure Gauges	65	External Pressure Adj	66	Coupler Dust Cover	66	Solenoid Valves	68	Pump Mounted Valves	70		

## Control Valves & Accessories



Pages 62-71

Heavy Duty Presses	74	Air/Manual Bottle Jacks	79	Bolt Puller/King Pin Press	89	BVA Bag	92
Hydraulic Manual Press	76	Toe Jacks	79	Pad Eye Tester	90	Maintenance	93
Electrical Press	77	Pullers	80	Flange Spreaders	91	Pipe Bender	93
Manual Bottle Jacks	78	Hydraulic Gear Pullers	88	Spreaders	91		
Mini Jacks	78	Hydraulic Bench Vise	88	Hydraulic Nut Splitter w/ Case	92		

## Presses/Bottle Jacks/Pullers



Pages 74-93

Container Lifting System	94	Hydraulic Mounting Clamp	96	Support Pads	99
Container Moving System	95	Movable Base Plates	97		
Ring Mounting Clamp-Hydraulic	96	Stabilisation Blocks	98		

## Tools/ Equipment



Pages 94-99

BVA Cross Reference Chart	100	Hydraulic Formula Reference	104
Safety Instructions	102	BVA in action	106
Maintaining Your Equipment	104	About BVA	107

## Cross-Reference & Engineering





## **BVA in action**



Shinn Fu Corporation was originally founded as Shinn Fu Auto Supply Company Ltd. by Mr. Michael Hung in 1971 based in Taipei, Taiwan. Shinn Fu has grown into the global leader of hydraulic lifting equipment in the automotive aftermarket. The insistence of producing and offering only the highest quality products has earned Shinn Fu a reputation for exceptional quality in the market.

Started in 1972, Shinn Fu Corporation started manufacturing hydraulic products for the professional and consumer markets. In 2004 the company began manufacturing for the industrial market with BVA Hydraulics. In 2009, due to substantial growth in the industrial market, the company expanded its facilities in Kansas City, MO to better service the North American market.

Shinn Fu Europe B.V. (SFE) was established in 1994 in The Netherlands. With the objective of promoting and distributing Shinn Fu's products in the markets of Europe, Middle East and Northern Africa, SFE launched the Omega Lifting Equipment program in 1994. Since then, Omega has won the market's recognition.

Shinn-Chia Machinery & Foundry (Kunshan) Co., Ltd., a state-of-the-art Foundry, was established in June 1996, began with the casting production in July 1997, and added with the CNC machining processing operations in December 2000. Shinn-Chia is privately owned by the Shinn Fu Group (Taiwan) at [www.shinnfu.com](http://www.shinnfu.com).

In order to provide the customers with excellent after-sales service, Shinn Fu has established worldwide branch offices in the USA, Canada, Australia, Hong Kong, Japan and Europe. SFE maintains the following brands: BVA Hydraulics™, Omega Lift Equipment®, Omega Mechanix and Pro-Lift® (<http://www.shinnfu.com/index.php/about>).

### **www.BVA-hydraulics.com for latest BVA information**

Visit the BVA website:

- Learn more about BVA
- New products
- Electronic Catalogues
- Custom Solutions
- Trade shows
- Owner's Manual & Repair Parts
- Nearest Distributors & Service Centers



While every care has been taken in the preparation of this catalogue and all data contained within is deemed accurate at the time of printing, Shinn Fu does reserve the right to make changes to the specifications of any product, or discontinue any product, contained within this catalogue without prior notice.

All illustrations, performance specifications, weights and dimensions reflect the nominal values and slight variations may occur due to manufacturing tolerances. Please consult Shinn Fu if final dimensions are critical. All information in this catalogue can be changed due to product improvements without prior notice.

© Copyright 2016, Shinn Fu. All rights reserved. Any copying or other use of material in this catalogue (text, illustrations, drawings, photos) without express written consent is prohibited.

**Shinn Fu catalogue of Omega Lift Equipment, Omega Mechanix and Pro-Lift to meet your needs:**

To obtain your copy just give us a call, or visit our Internet site.

